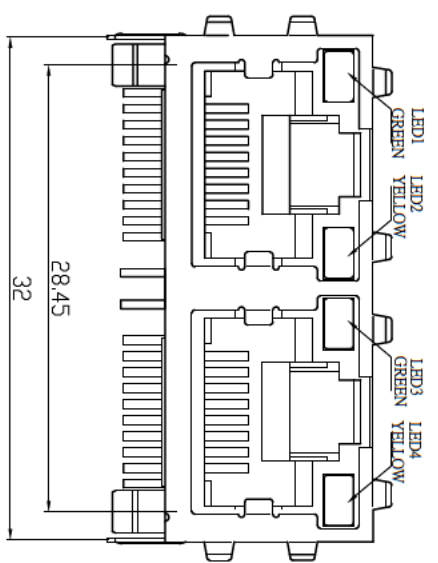
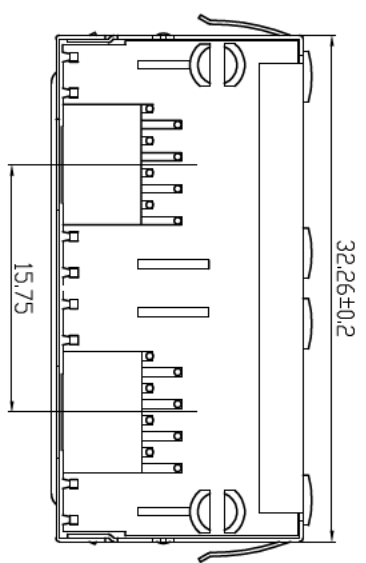
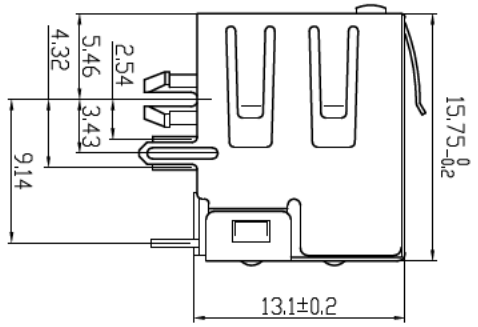


PC Board Layout



- PCB JACK Specification**
1. Insulation Resistance: 500M Ω MIN @ 500 VDC
 2. Withstanding Voltage: AC1000V 50Hz or 60Hz 1min.
 3. Durability: 600 Mating Cycles MIN.
 4. Gold Plating: (3;6;15;30;50) μ inch
 5. Tolerances Unless Otherwise Specified
 ± 0.25 ± 0.10 ± 0.20 ± 0.10

				TOLERANCE		PART NAME	
				SCALE	UNIT	SIZE	PART NO.
APPD.	OWG.	UNIT	SCALE	SIZE	REV.	2XRJ45 8x8 horizontal 2x LED G/Y latch up shielded	
DATE	PAGE	UNIT	SCALE	SIZE	REV.	SM C04 0073 AB (G/Y)	