

REVISION RECORD				
REV	ECO	DESCRIPTION	DRFT	CHKD

NOTES:

MATERIAL :

- | | |
|---------------------|---|
| 1. HOUSING MATERIAL | : GLASS FILLED POLYESTER UL94V-0. |
| 2. CONTACT MATERIAL | : PHOSPHOR BRONZE $\phi 0.46$ mm. |
| 3. PLATING | : GOLD PLATING OVER NICKEL. |
| 4. SHIELD | : 0.23mm THICKNESS COPPER ALLOY WITH NICKEL PLATED. |
| 5. LED | : OPTION |

ELECTRICAL:

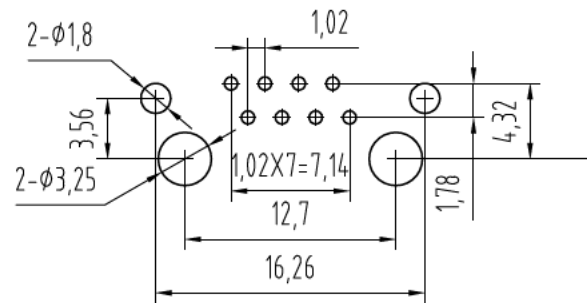
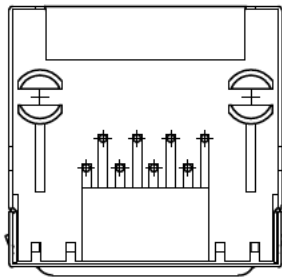
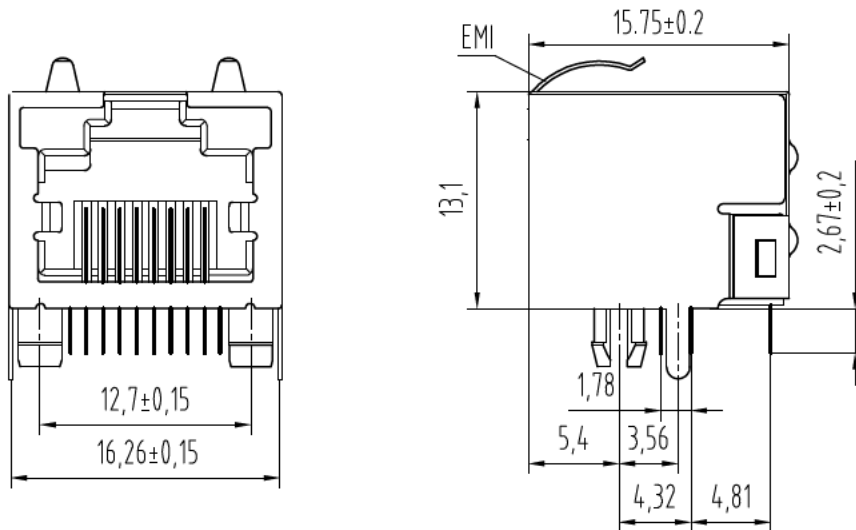
- | | |
|---------------------------------------|------------------------------|
| 1. VOLTAGE RATING | : 125 VAC RMS. |
| 2. CURRENT RATING | : 1.5 AMP. |
| 3. CONTACT RESISTANCE | : 30 MILLIOHMS MAX. |
| 4. INSULATION RESISTANCE | : 500 MEGOHMS MIN @ 500V DC. |
| 5. DIELECTRIC WITHSTANDING RESISTANCE | : 1000V AC RMS 50Hz. 1MIN. |

MECHANICAL:

- | | |
|-----------------------------|-------------------|
| 1. DURRABILITY | : 750 CYCLES MIN. |
| 2. PCB RETENTION PRE-SOLDER | : 1 LB MIN. |

ENVIRONMENTAL:

- | | |
|--------------|-----------------|
| 1. STORAGE | : -40°C ~ +85°C |
| 2. OPERATION | : 0°C TO 70°C. |



PC Board Layout
Component Side Shown

MM (INCH)		DFTD SHB	DATE	SCHMID-M	
TOLERANCES EXCEPT AS NOTED		CHKD LAMBDO	DATE	TITLE SM C04 0073 A1 without LED	
MM .05 ± 0.15 .00 ± 0.075 .00 ± 0.05		APPVL	DATE		
ANGLES ± 0.5		MATERIAL :		PART NAME RJ45 PCB 90° TAB UP SHIELDED	
THIRD ANGLE PROJECTION		QT'Y :		DRAWING NO.	
		FINISH :		/PART NO.	
		SCALE :		DO NOT SCALE DRAWING	
				SIZE	REV
				A3	0
				SHEET X	OF Y