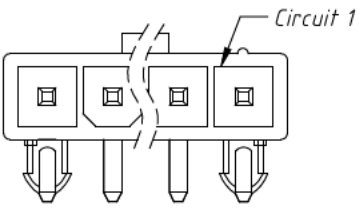
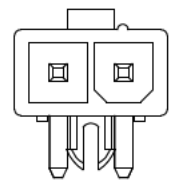


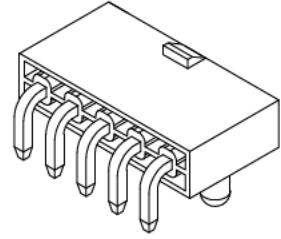
5	6	7	8
Rev.	DESCRIPTION	DRAWN	CHECKED
A	NEW RELEASE		~



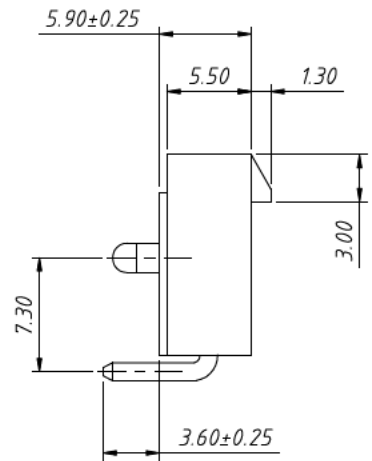
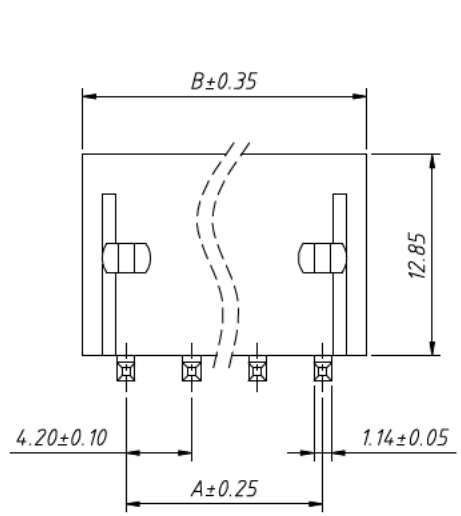
03~06P



02P

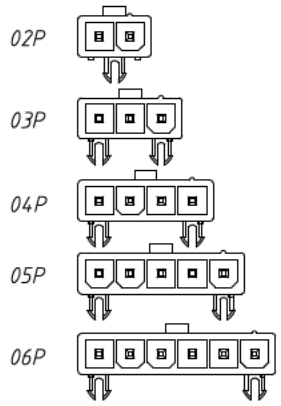


Pin	Dimensions(mm)	
	A	B
02	4.20	9.80
03	8.40	14.00
04	12.60	18.20
05	16.80	22.40
06	21.00	26.60

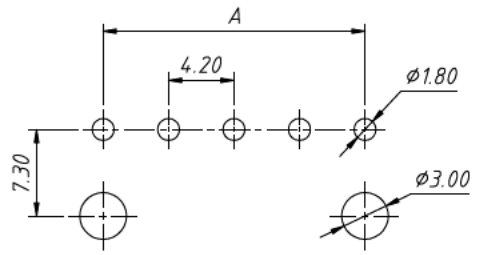


**Material:**  
Housing: PA66, UL 94V-2  
Contacts: Brass  
Finish: Tin-plated or Nickel

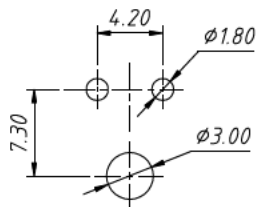
**Electrical Characteristics:**  
Rated Current: 7.0A AC, DC  
Voltage rating: 600V AC, DC  
Temperature range: -25°C ~ +85°C  
Insulator Resistance: 1000MΩ Min  
Withstanding Voltage: 1500V AC/minut  
Contact Resistance: 20mΩ Max



Circuit Size Layout



03-06P  
P.C.B Layout



02P  
P.C.B Layout

GENERAL TOLERANCE		ANGEL TOLERANCE		PROJECTION	TITLE	
.X	+/-15	.X	+/-3		4.20mm connector - Right angle type	
.X	+/-10	.X	+/-2	UNITS		MM
.XX	+/-5	.XX	+/-1	SHEET SIZE		A4
DRAWING TYPE		CUSTOMER		<b>SCHMID-M</b>	PART NO. <b>SM C03 4505 XX SRB W</b>	
SCALE		SHEET			1 OF 1	XX: Number of poles
DRAWING NO.		31:1				