

1
RoHS Compliance

2

3

4

5

6

7

8

A

A

B

B

C

C

D

D

E

E

F

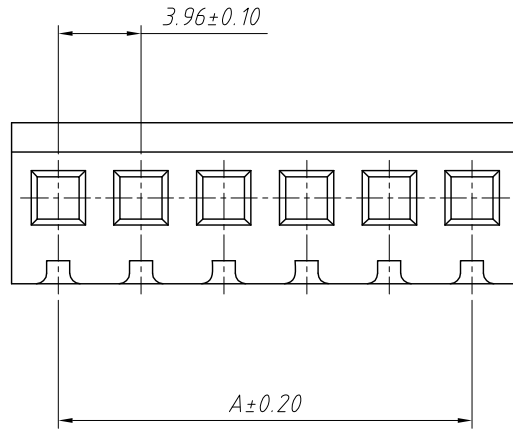
F

G

G

H

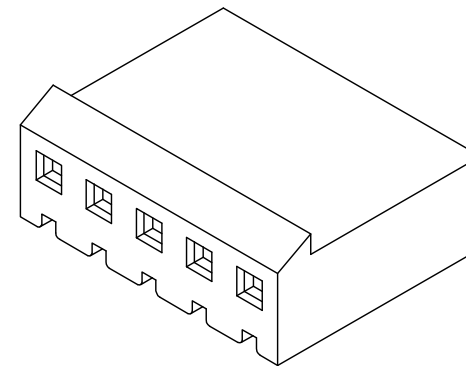
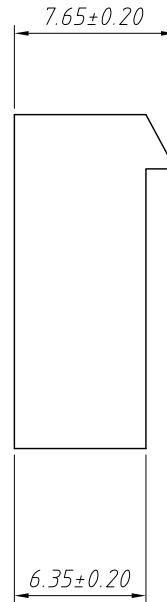
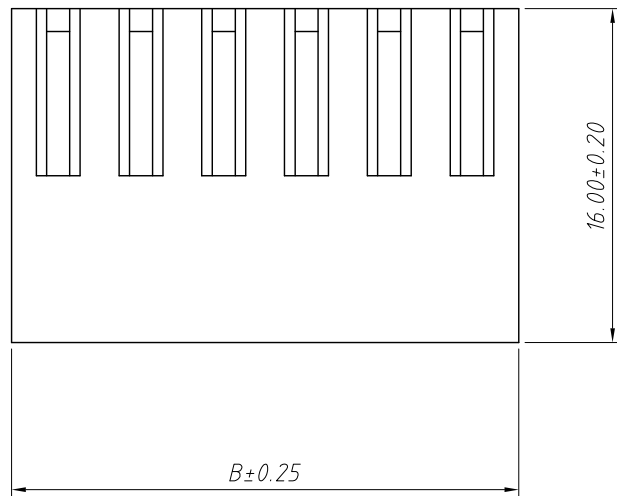
H



Pins	Dimensions		Pins	Dimensions	
	A	B		A	B
02	3.96	8.43	12	43.56	48.03
03	7.92	12.39	13	47.52	51.99
04	11.88	16.35	14	51.48	55.95
05	15.84	20.31	15	55.44	59.91
06	19.80	24.27	16	59.40	63.87
07	23.76	28.23	17	63.36	67.83
08	27.72	32.19	18	67.32	71.79
09	31.68	36.15	19	71.28	75.75
10	35.64	40.11	20	75.24	79.71
11	39.60	44.07			

Material:
Housing: PA66, UL 94 V-2

Electrical Characteristics:
Rated Current: 7.0AMP
Voltage rating: 250V AC, DC
Temperature range: -25°C ~ +85°C
Insulator Resistance: 1000MΩ Min
Withstanding Voltage: 1500V AC/minute
Contact Resistance: 20mΩ Max



Order Information:
SM C03 3967 XX H
Series
XX-No. of 02 ~ 20 pins
Type:
H- Housing T- Terminal
S- Straight male pin
R- Right angle male pin

ANGLE TOLERANCE	PROJECTION	Description:	3.96mm Pitch
±3°			Wire To Board Connector
GENERAL TOLERANCE	UNITS	mm	P/N: SM C03 3967 XX H
x.x ±0.30	SHEET SIZE	A4	
x.xx ±0.20	Draw:	Daniel	2021-01-11
x.xxx ±0.10	Check:	Daniel	2021-01-11

SCHMID-M

1

2

3

4

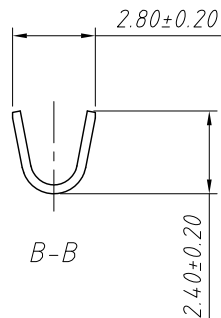
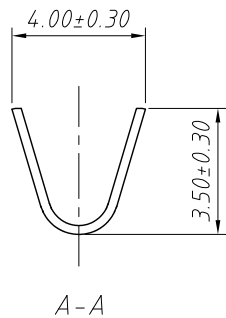
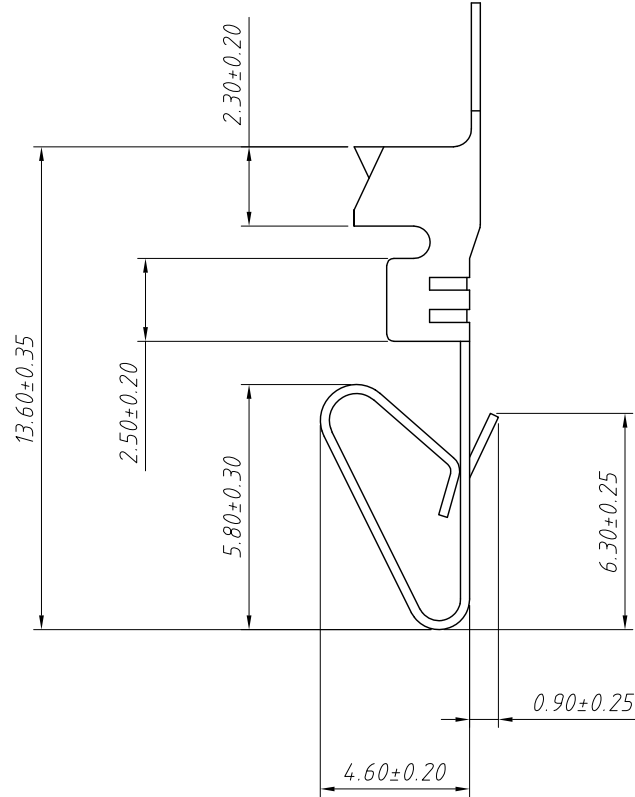
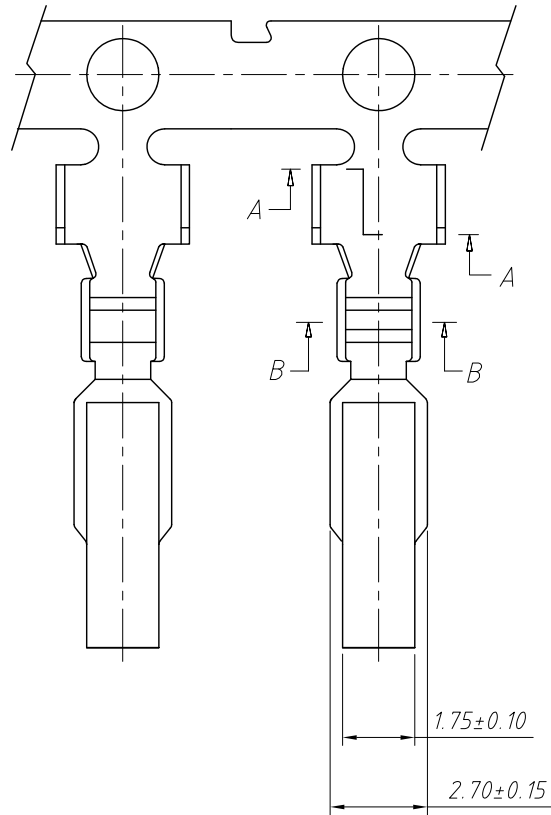
5

6

7

8

1
RoHS Compliance



Material:
Terminal: Brass
Plating: Tin plated
Applicable wires: AWG #24 ~ # 18
Insulation O.D: 2.8mm
Thickness: 0.25mm
Qty/reel: 5000 pcs

Electrical Characteristics:
Rated Current: 7.0AMP
Voltage rating: 250V AC, DC
Temperature range: -25°C ~ + 85°C
Insulator Resistance: 1000MΩ Min
Withstanding Voltage: 1500V AC/minute
Contact Resistance: 20mΩ Max

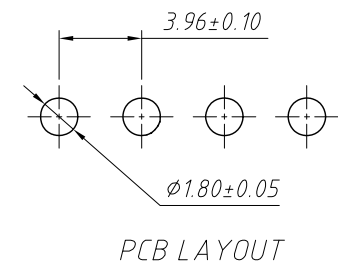
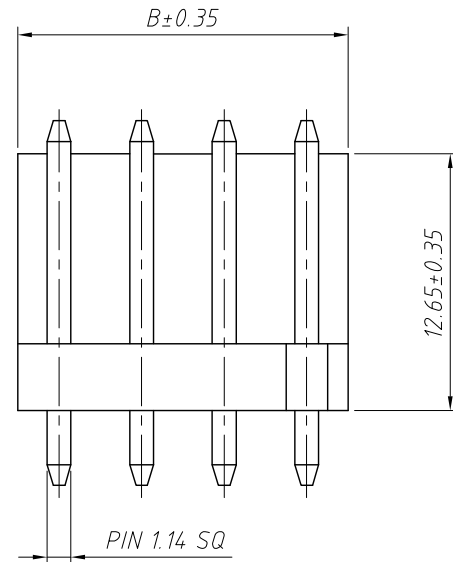
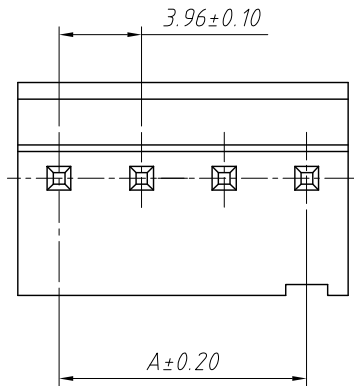
Order Information:
SM C03 3967 T

Series
Type:
H- Housing T- Terminal
S- Straight male pin
R- Right angle male pin

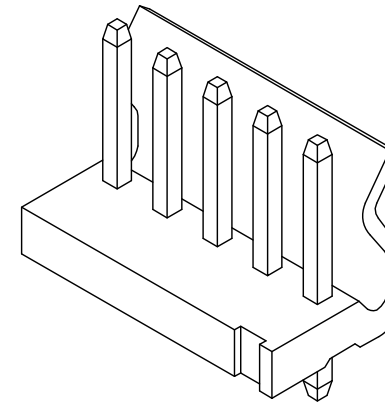
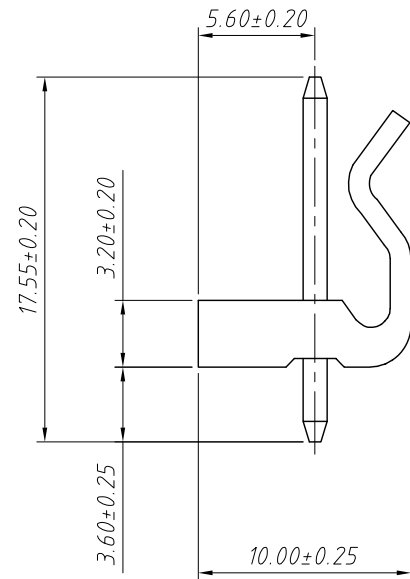
ANGLE TOLERANCE	PROJECTION	Description:	3.96mm Pitch
±3°			Wire To Board Connector
GENERAL TOLERANCE	UNITS	mm	P/N:
x.x ±0.30	SHEET SIZE	A4	SM C03 3967 T
x.xx ±0.20	Draw:	Daniel	2021-01-11
x.xxx ±0.10	Check:	Daniel	2021-01-11

SCHMID-M

1 RoHS Compliance



Pins	Dimensions		Pins	Dimensions	
	A	B		A	B
02	3.96	7.92	12	43.56	47.52
03	7.92	11.88	13	47.52	51.48
04	11.88	15.84	14	51.48	55.44
05	15.84	19.80	15	55.44	59.40
06	19.80	23.76	16	59.40	63.36
07	23.76	27.72	17	63.36	67.32
08	27.72	31.68	18	67.32	71.28
09	31.68	35.64	19	71.28	75.24
10	35.64	39.60	20	75.24	79.20
11	39.60	43.56			



Material:
Housing: PA66, UL 94 V-2
Contact: Brass
Plating: Tin plate

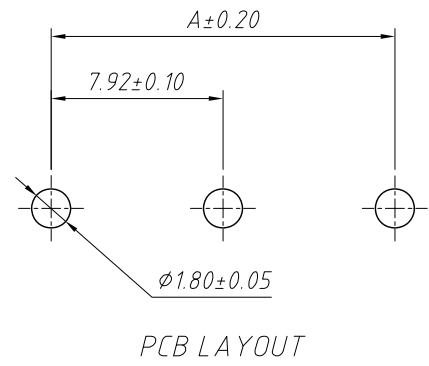
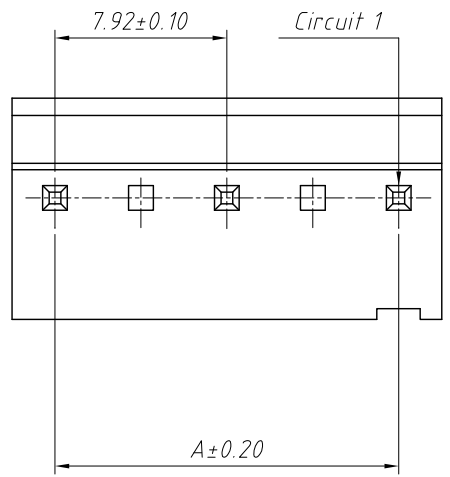
Electrical Characteristics:
Rated Current: 7.0AMP
Voltage rating: 250V AC, DC
Temperature range: -25°C ~ +85°C
Insulator Resistance: 1000MΩ Min
Withstanding Voltage: 1500V AC/minute
Contact Resistance: 20mΩ Max

Order Information:
SM C03 3967 XX S
Series
XX-No. of 02 ~ 20 pins
Type:
H-Housing T-Terminal
S-Straight male pin
R-Right angle male pin

ANGLE TOLERANCE	PROJECTION	Description:	3.96mm Pitch
±3°			Wire To Board Connector
GENERAL TOLERANCE	UNITS	mm	P/N:
x.x ±0.30	SHEET SIZE	A4	SM C03 3967 XX S
x.xx ±0.20	Draw:	Daniel	2021-01-11
x.xxx ±0.10	Check:	Daniel	2021-01-11

SCHMID-M

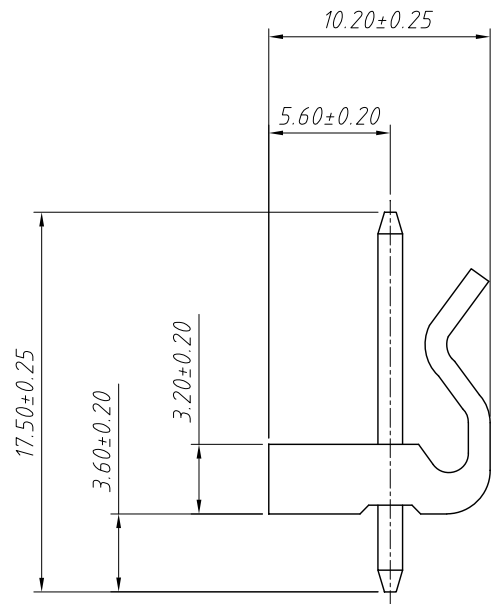
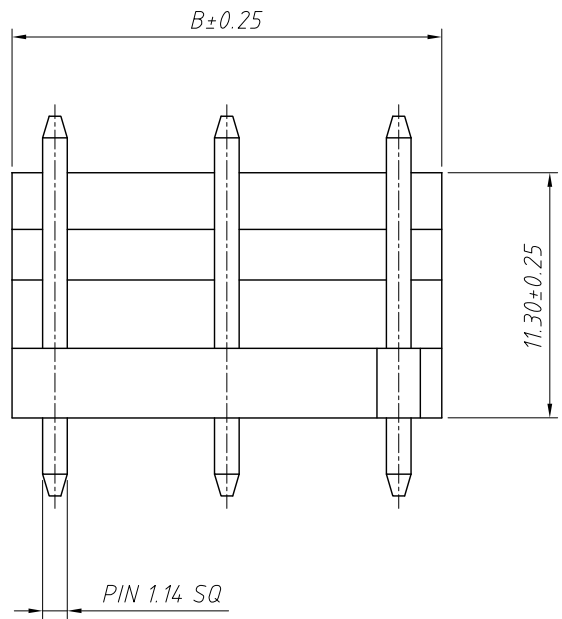
1
RoHS Compliance



Pins	Dimensions	
	A	B
03	7.92	11.88
05	15.84	19.80
07	23.76	27.72
09	31.68	35.64
11	39.60	43.56
13	47.52	51.48
15	55.44	59.40
17	63.36	67.32
19	71.28	75.24

Material:
Housing: PA66, UL 94 V-2, Natural
Contact: Brass
Plating: Tin plate Over Nickel

Electrical Characteristics:
Rated Current: 7.0AMP
Voltage rating: 250V AC, DC
Temperature range: -40°C ~ +105°C
Insulator Resistance: 1000MΩ Min
Withstanding Voltage: 1500V AC/minute
Contact Resistance: 10mΩ Max



Order Information:
SM C03 3967 XXPXK S

Series

XX-No. of 03 ~ 19 pins

XK-Empty Pins

Type:
S-Straight male pin
R-Right angle male pin

ANGLE TOLERANCE	PROJECTION	Description:	3.96mm Pitch
±3°			Wire To Board Connector
GENERAL TOLERANCE	UNITS	mm	P/N:
x.x ±0.30	SHEET SIZE	A4	SM C03 3967 XXPXK S
x.xx ±0.20	Draw:	Daniel	2021-01-11
x.xxx ±0.10	Check:	Daniel	2021-01-11

SCHMID-M

1
RoHS Compliance

A

B

C

D

E

F

G

H

2

3

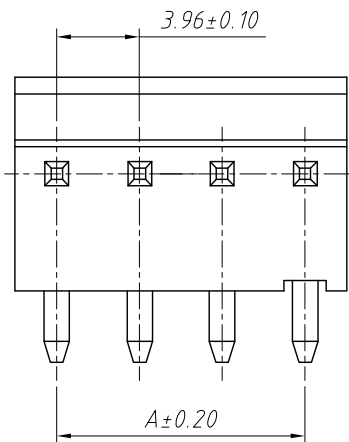
4

5

6

7

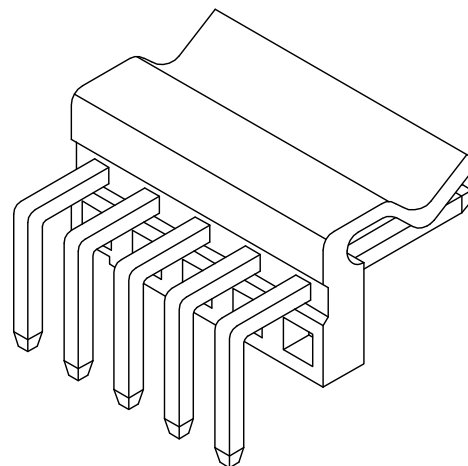
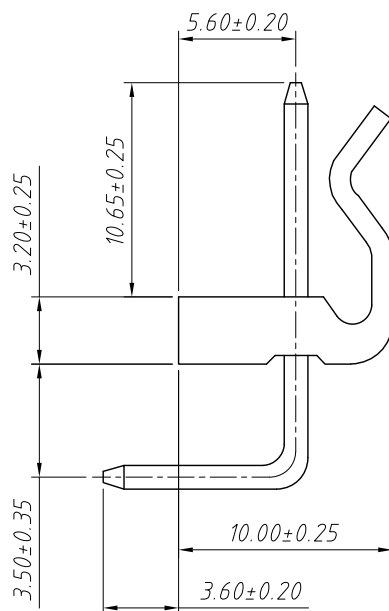
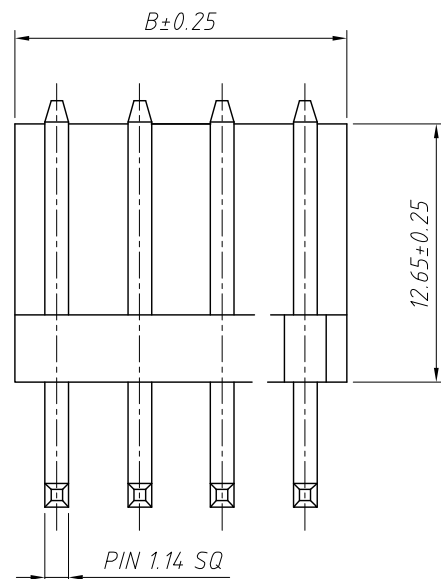
8



Pins	Dimensions		Pins	Dimensions	
	A	B		A	B
02	3.96	7.92	12	43.56	47.52
03	7.92	11.88	13	47.52	51.48
04	11.88	15.84	14	51.48	55.44
05	15.84	19.80	15	55.44	59.40
06	19.80	23.76	16	59.40	63.36
07	23.76	27.72	17	63.36	67.32
08	27.72	31.68	18	67.32	71.28
09	31.68	35.64	19	71.28	75.24
10	35.64	39.60	20	75.24	79.20
11	39.60	43.56			

Material:
Housing:PA66,UL94V-2
Contact:Brass
Plating:Tin plate

Electrical Characteristics:
Rated Current:7.0AMP
Voltage rating:250V AC,DC
Temperature range:-25°C ~ +85°C
Insulator Resistance:1000MΩ Min
Withstanding Voltage:1500V AC/minute
Contact Resistance:20mΩ Max



Order Information:

SM C03 3967 XX R

Series

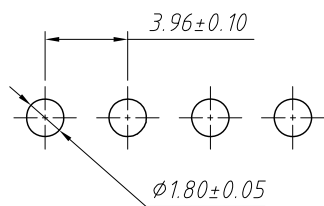
XX-No. of 02 ~ 20 pins

Type:

H-Housing T-Terminal

S-Straight male pin

R-Right angle male pin



PCB LAYOUT

ANGLE TOLERANCE	PROJECTION	Description:	
±3°		3.96mm Pitch	
		Wire To Board Connector	
GENERAL TOLERANCE	UNITS	mm	P/N:
x.x ±0.30	SHEET SIZE	A4	SM C03 3967 XX R
x.xx ±0.20	Draw:	Daniel	2021-01-11
x.xxx ±0.10	Check:	Daniel	2021-01-11

SCHMID-M

1

2

3

4

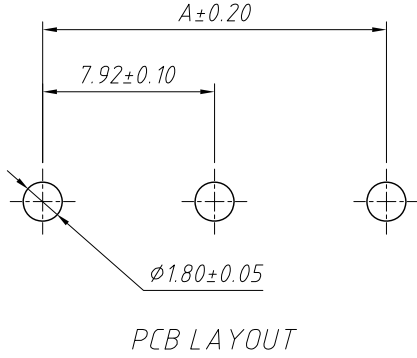
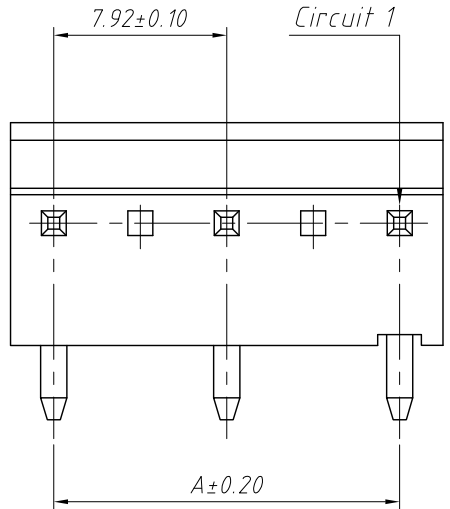
5

6

7

8

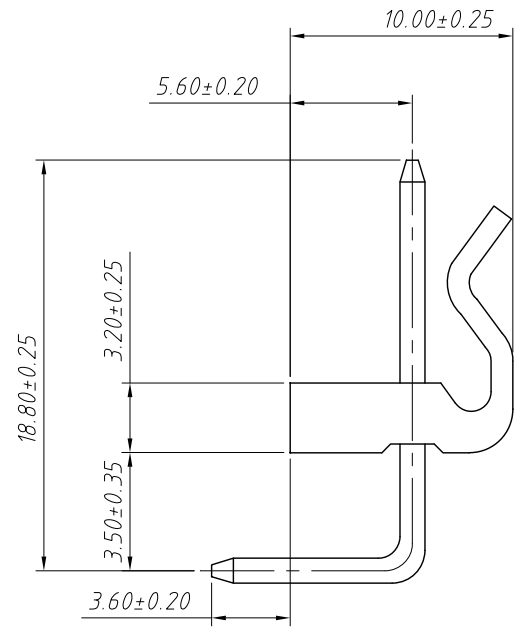
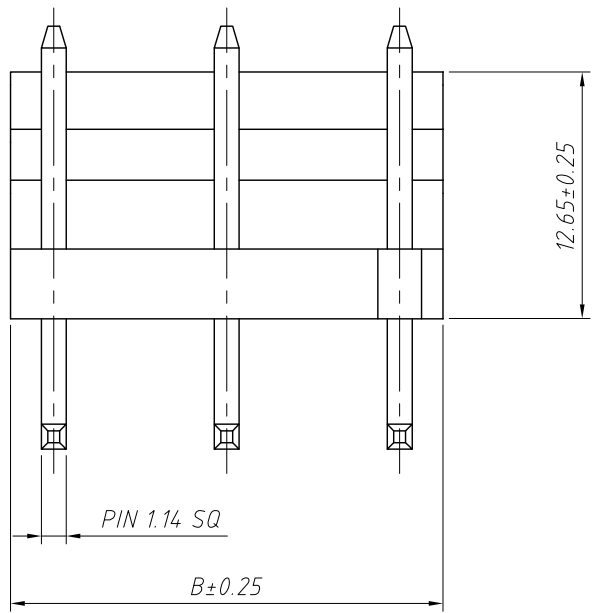
1
RoHS Compliance



Pins	Dimensions	
	A	B
03	7.92	11.88
05	15.84	19.80
07	23.76	27.72
09	31.68	35.64
11	39.60	43.56
13	47.52	51.48
15	55.44	59.40
17	63.36	67.32
19	71.28	75.24

Material:
Housing: PA66, UL 94 V-2, Natural
Contact: Brass
Plating: Tin plate Over Nickel

Electrical Characteristics:
Rated Current: 7.0AMP
Voltage rating: 250V AC, DC
Temperature range: -40°C ~ +105°C
Insulator Resistance: 1000MΩ Min
Withstanding Voltage: 1500V AC/minute
Contact Resistance: 10mΩ Max



Order Information:
SM C03 3967 XXPXK R

Series ————
XX—No. of 03 ~ 19 pins
XK—Empty Pins
Type: ————
S—Straight male pin
R—Right angle male pin

ANGLE TOLERANCE	PROJECTION	Description:	3.96mm Pitch
±3°			Wire To Board Connector
GENERAL TOLERANCE	UNITS	mm	P/N:
x.x ±0.30	SHEET SIZE	A4	SM C03 3967 XXPXK R
x.xx ±0.20	Draw:	Daniel	2021-01-11
x.xxx ±0.10	Check:	Daniel	2021-01-11

SCHMID-M