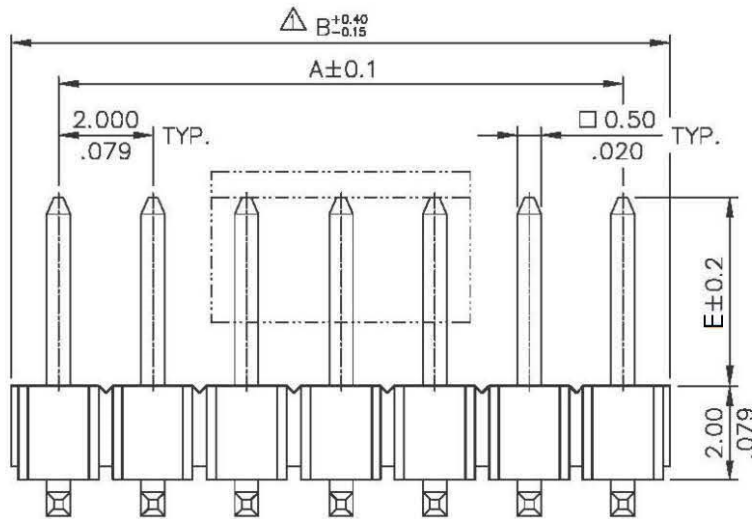


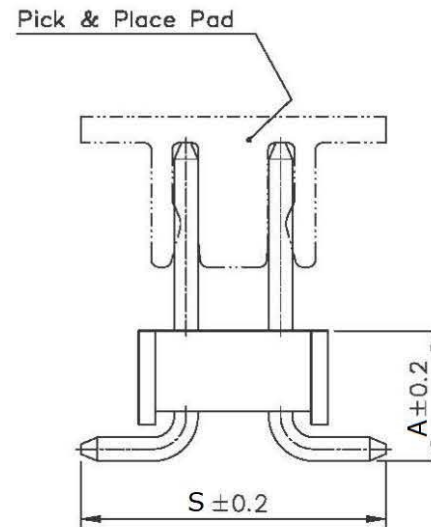
Recommended P.C. Board Layout

Material:

- \* Insulator: Nylon 6T With 30% GF.  
UL 94V-0 Color Black
- \* Square Pin: Brass
- \* Pick & Place Pad:  
Nylon 6T  
UL 94V-0 Color Nature



DIM. A = 2.00 X No. of Spaces  
 DIM. B = DIM. A + 2.00  
 \* Available in 4 through 80 Circuits



PIN DIMENSION		
E	A	S
4.0(.157)	2.77(.109)	6.5(.256)

RoHS Compliant

DRAWN BY: Sun		DATE: 1/24 06'	UNIT: mm / inch	TITLE: 2.00mm(.079") DUAL ROW SURFACE BOARD MOUNT PIN HEADER	<b>SCHMID-M</b>
ENGINEER: Eisley	1/26 06'	TOLERANCE UNLESS OTHERWISE SPECIFIED		MATERIAL:	
CHECKED BY: David	1/27 06'	.X ± 0.25/.010 .X' ± 1"		FINISH:	DRAWING NO.
APPROVED BY: Alex	1/27 06'	.XX ± 0.15/.006 .X' ±			PART NO. SM C02 6215 XX BD
		.XXX ± 0.10/.004 .XX' ±		SCALE: 6 / 1	SHEET 1 OF 1