

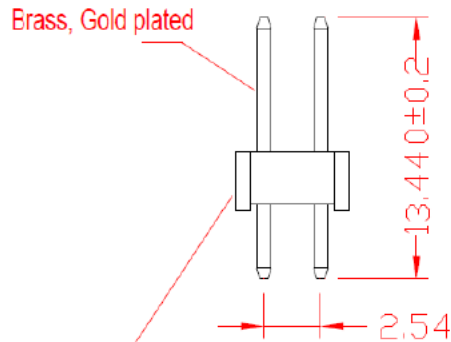
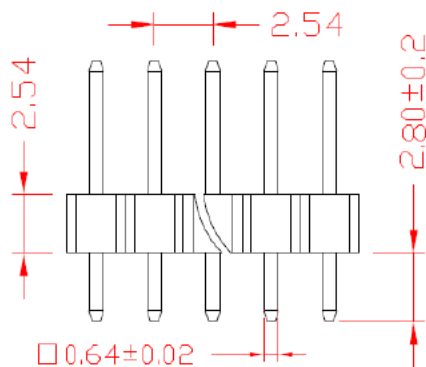
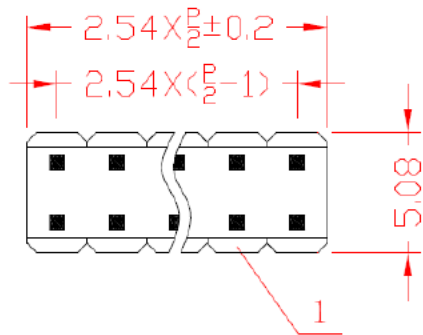
2.54mm Header

Specifications:



Contact Resistance: 30mΩ max.at DC 100 mA
 Insulator Resistance: 1000MΩ min.at DC 500V
 Current Rating: 1AMP

Dielectric Withstanding

Voltage: AC 500V For 1 minute
 Operating Temperature:-55°C--+105°C
 Contact: Brass
 Housing: PBT &30% Glass Fiber(UL 94V-0)



PA46

GENERAL TOLERANCE			
X.	±0.35.		X. X:
X. XX:	±0.20	X. XXX:	±0.15.
SCALE	1 : 1	UNIT	mm
DRAW	Braun	DATE	22.11.2018
CHECK	Walter	REV	
		TITLE	SM C02 2200 XX BS
		DESCRIPTION	2.54 mm Double Row Pin Header A = 2,8 mm E = 8,1 mm C = 13, 44 mm XX = No. of poles