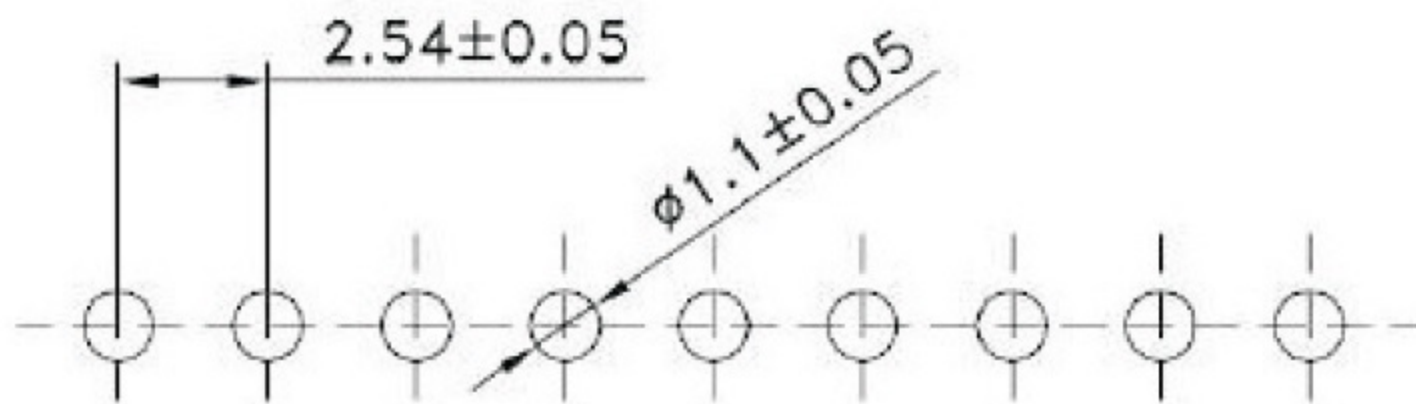
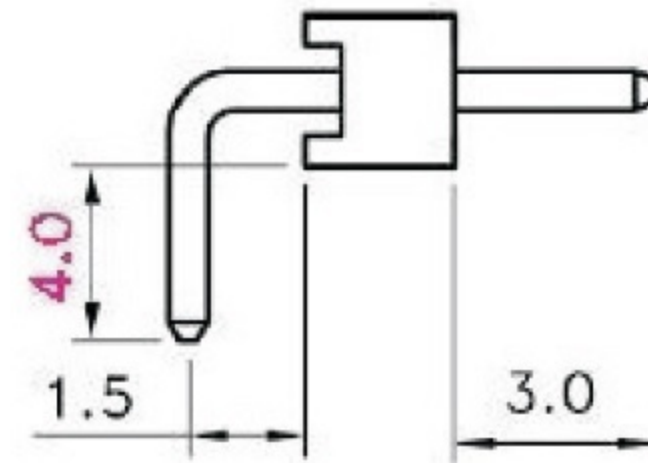
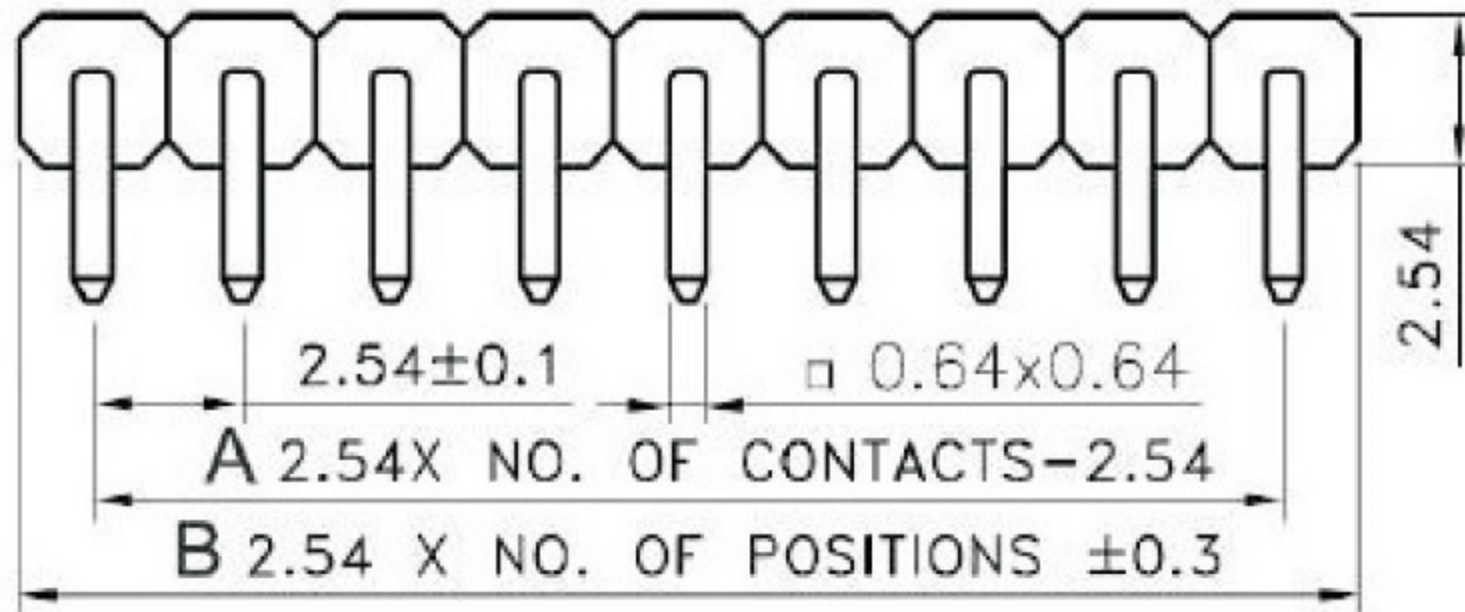


**PIN HEADER , SINGLE ROW , pitch 2,54 mm  
THROUGH HOLE**



RoHS Compliant		<b>SCHMID-M</b>	
APPD.		TOLERANCE	PART NAME
DWG. Braun	SCALE	.0 ± 0.30 .00 ± 0.20 ANG. ±	Pin Header pitch 2.54 H1= 3mm H2=4mm
DATE 09.06.2012	UNIT MM	SIZE A 4	PART NO.
	PAGE 1 OF 1	REV. A	SM C02 2100 XX AR