

1 2 3 4 5 6 7 8 9

| REV. | LOCAS. | DESCRIPTION | DATE | DRAWN |
|------|--------|-------------|------|-------|
| | | | | |

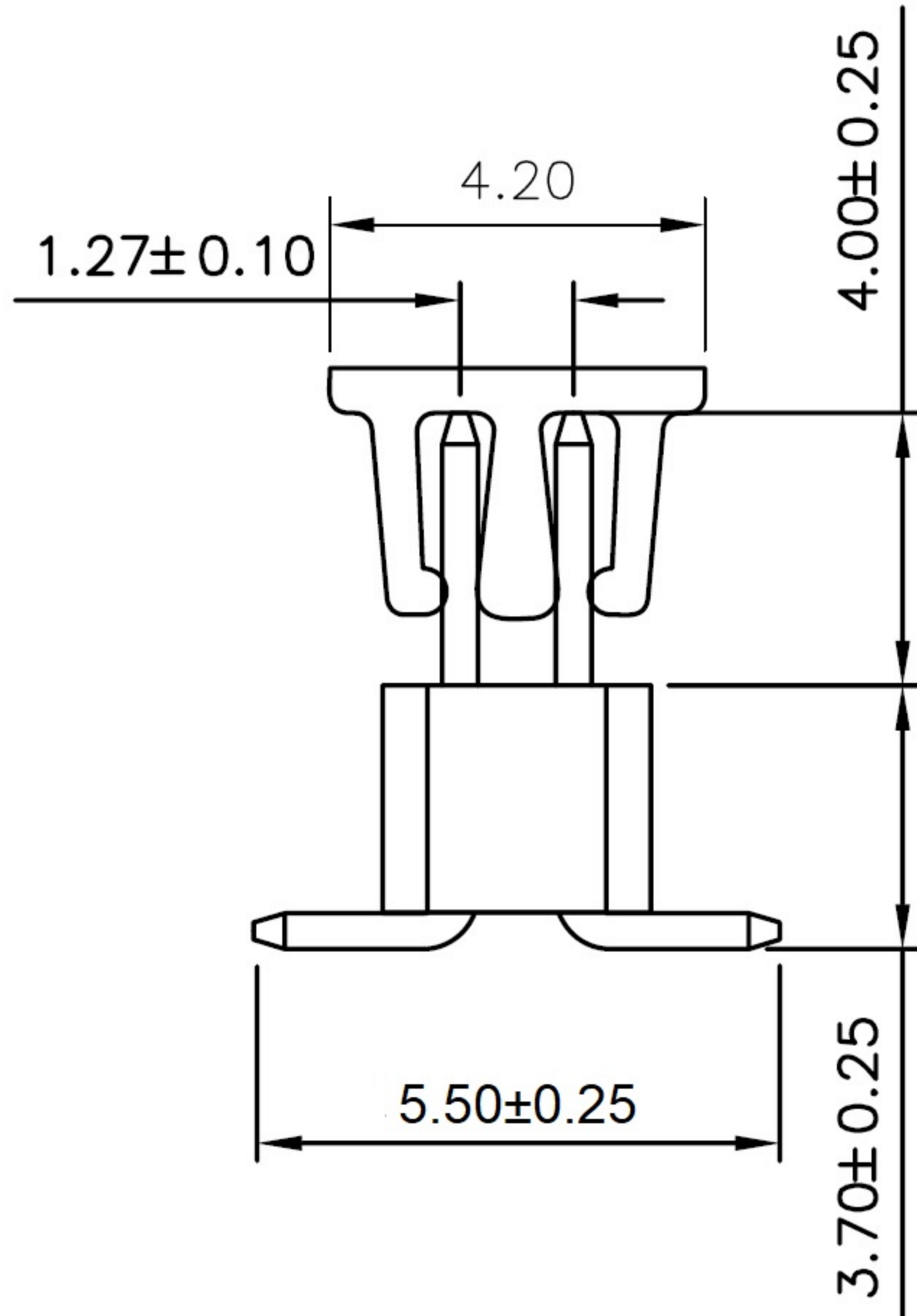
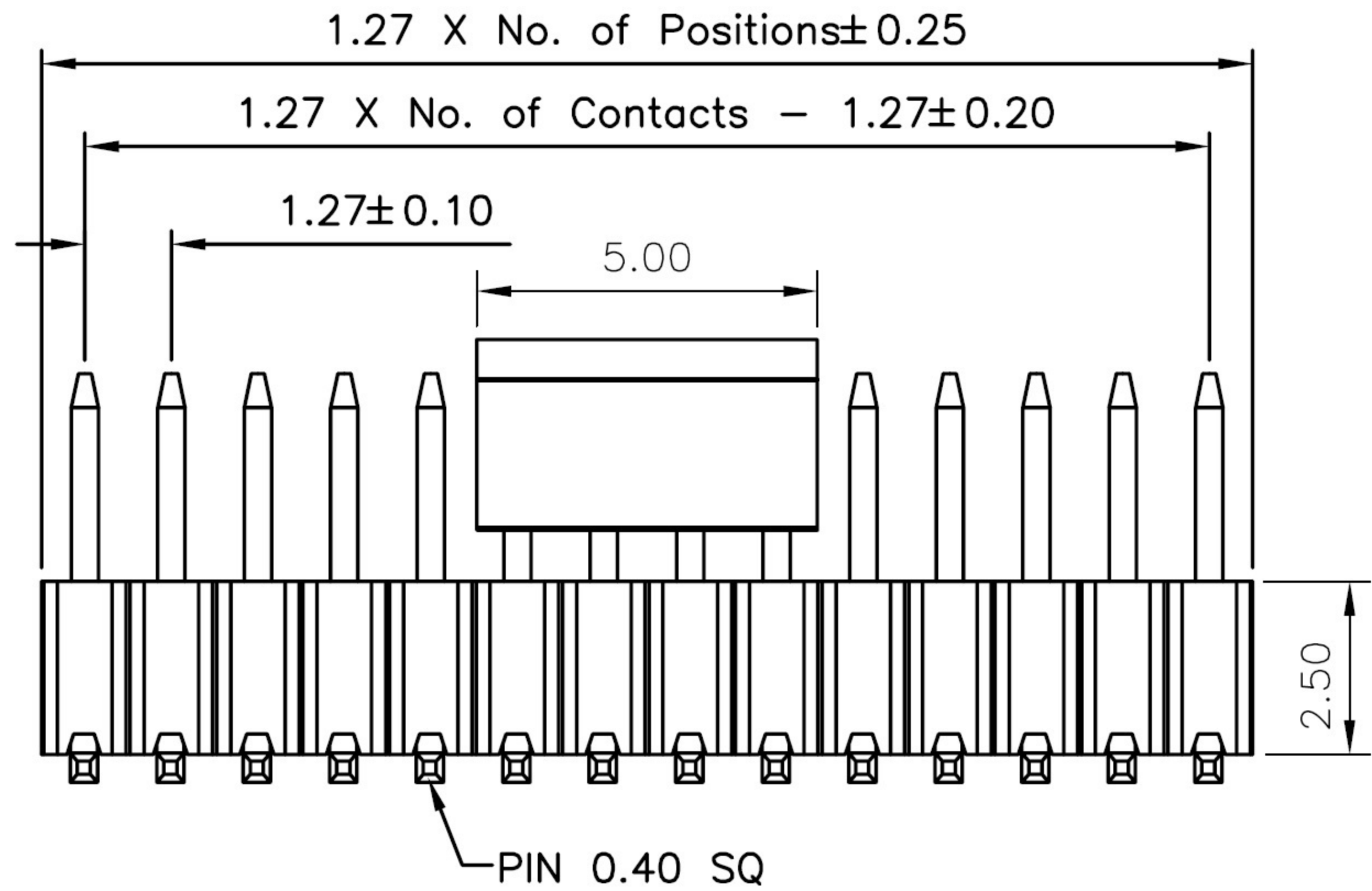
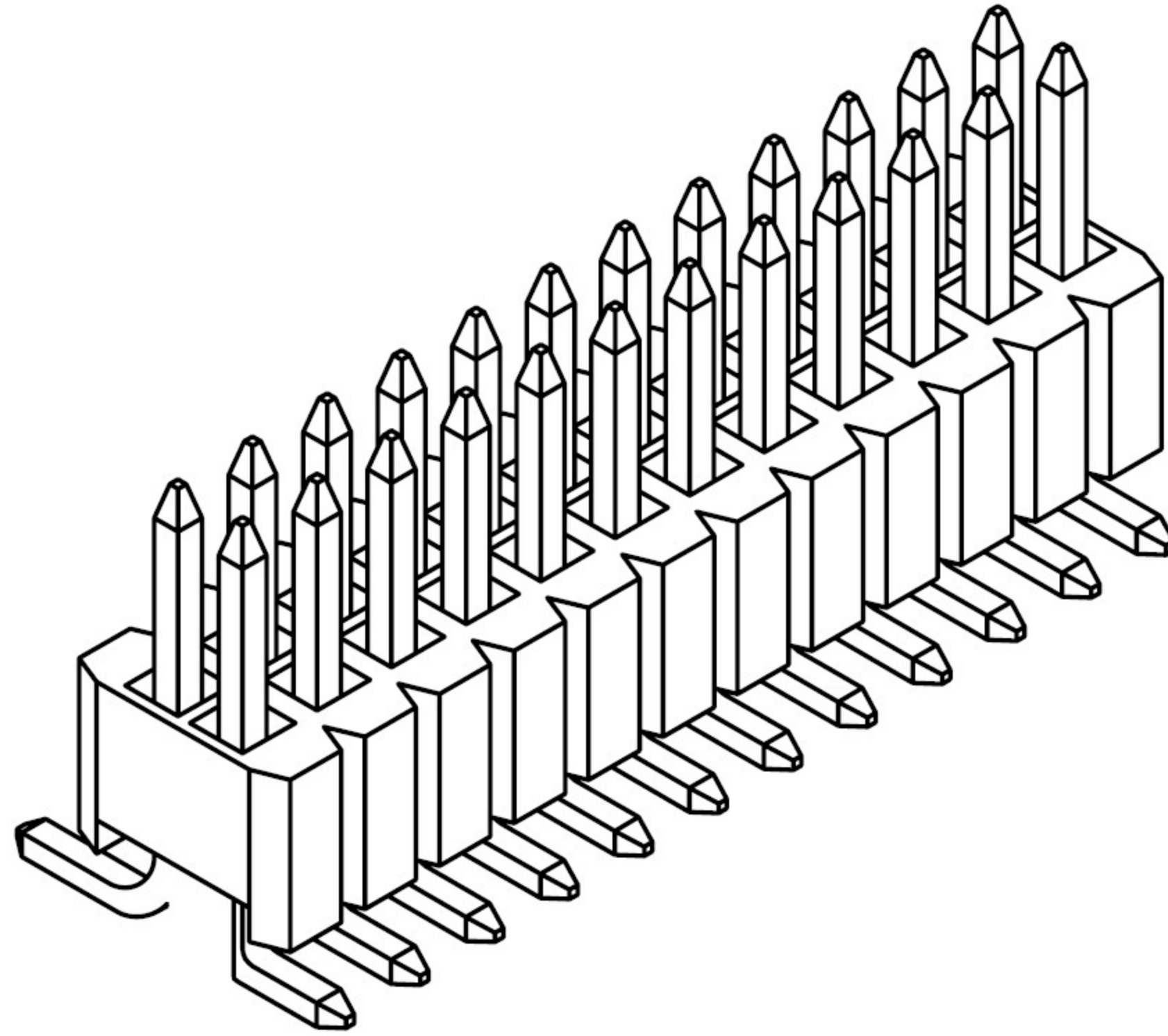
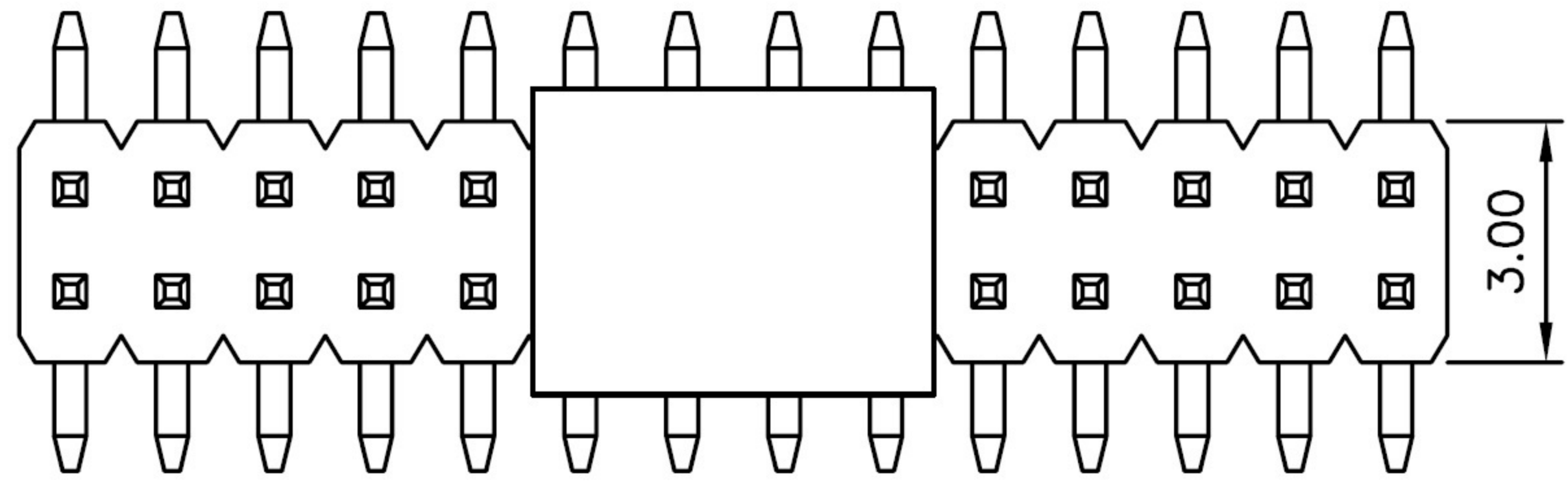
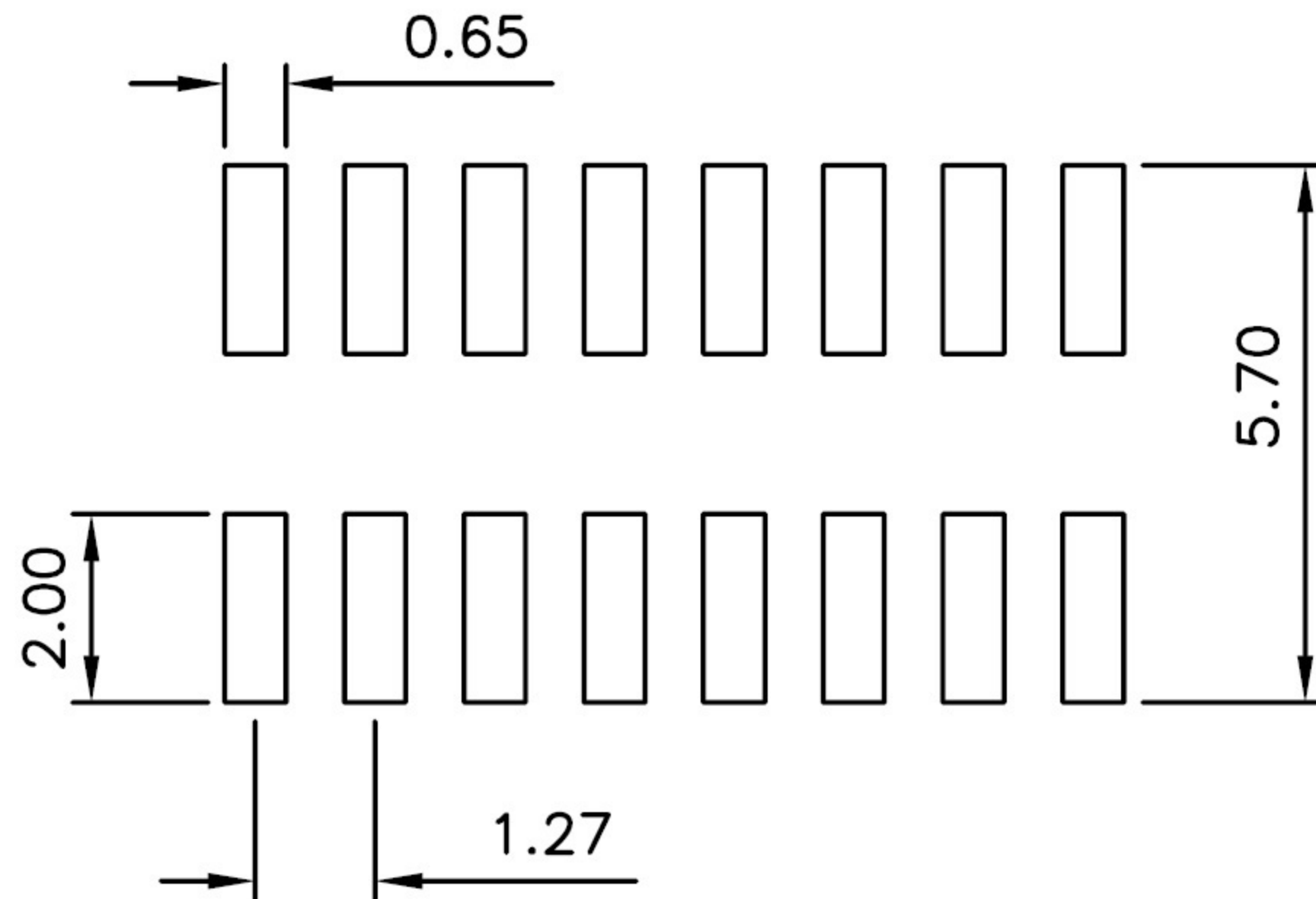
Specifications

Current Rating: 1Amp
 Insulation Resistance: 1000M Min. Ω
 Dielectric Withstanding: 300V AC
 Contact Resistance: 20m Max Ω
 Operating Temperature: -40°C to +105°C

Materials

Contact Material: Brass
 Insulation Material: Polyester, UL 94V-0
 NYLON-6T
 All materials must be GP materials

RECOMMENDED P.C.B LAYOUT



GENERAL TOLERANCE

| | |
|--------------|-------------|
| X° ± 5.0° | X. ± 0.30 |
| .X° ± 3.0° | .X ± 0.25 |
| .XX° ± 2.0° | .XX ± 0.15 |
| .XXX° ± 1.0° | .XXX ± 0.10 |

| | | | |
|-----------|--------|-------|------------|
| DESIGN: | Thomas | DATE: | 2018-12-05 |
| CHECKED: | Mark | DATE: | 2018-12-05 |
| AUDITED: | Herald | DATE: | 2018-12-06 |
| APPROVED: | Herald | DATE: | 2018-12-06 |

| | |
|----------|------------------------------|
| PART NO. | SM C02 1271 XX BD, 1.27x1.27 |
|----------|------------------------------|

TITLE.
 Header Dual Rows, Single Insulator, SMT 1.27x1.27
 XX. = number of poles

| | | | | |
|------|-------|--------|-------|--|
| REV. | UNIT. | SCALE. | PAGE. | |
| 01 | mm | 1:1 | 1/1 | |

1 2 3 4 5 6 7 8 9