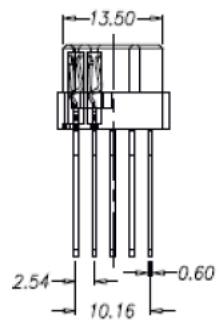
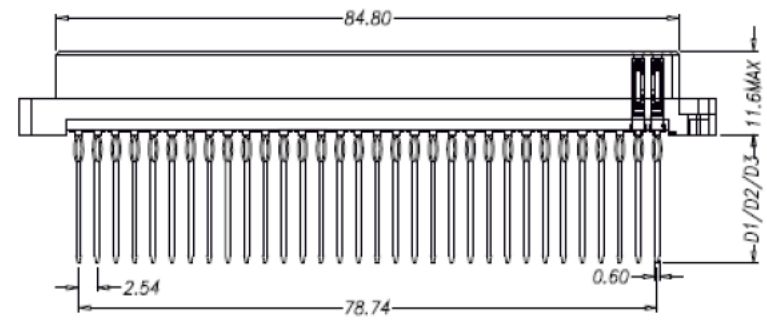


HSF



SPECIFICATION:

Current Rating:	2,0A
Insulation Resistance:	10000MOhm min. at DC 100V
Contact Resistance:	20mOhm max.
Withstand Voltage:	1000VAC for 1 Minute
Operating Temperature:	-55°C to +105°C
Contact Material:	Phosphor Bronze
Contact Plating:	Au 3u"over Ni
Insulator Material:	PBT+30%GF UL94V-0
Mating Cycles:	Category II, 500 Cycles
Insertion Force:	160Pin max. 150N
Withdrawal Force:	0,15N min. per Individual Contact



SM C DIN DFS 160 DY FPF

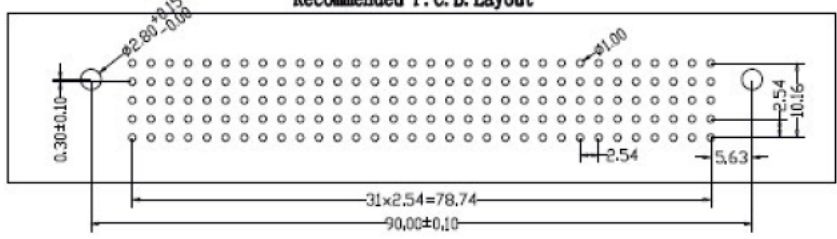
DFS - Series

160 - 160pin

- DY-Termination D1: Straight tail length 5,5mm
- DY-Termination D2: Straight tail length 13,0mm
- DY-Termination D3: Straight tail length 17,5mm

F - Female
PF Press Fit

Recommended P. C. B. Layout



TOLERANCE	
X ± 0.35	X.XX: ± 0.20
X.X: ± 0.25	X.XXX: ± 0.15

SCALE	UNIT
	mm
DRAW Valter	DATE 22.3.2019
CHECK Thomas	REV



TITLE
SM C DIN DFS 160 DY FPF



DESCRIPTION
DIN 41612 Typ E Female 160PIN Press Fit