

The SE 8600 Series is Power Entry Module with Mains Switch



SE 8600



### Description :

- The SE 8600 power entry module combines an IEC inlet, mains filter with excellent filter attenuation and a mains switch in a small form factor.
- Rated currents up to 10A.
- Exceptional conducted attenuation performance, based on chokes with high saturation resistance and excellent thermal behavior.
- 1-pole rocker switch, not illuminated
- Custom-specific versions are available on request.

### Typical Applications :

- Small to medium-sized machines and household equipment
- Portable electrical and electronic equipment
- Single-phase power supplies, switch-mode power supplies
- Test and measurement equipment

### Electrical Schematic :

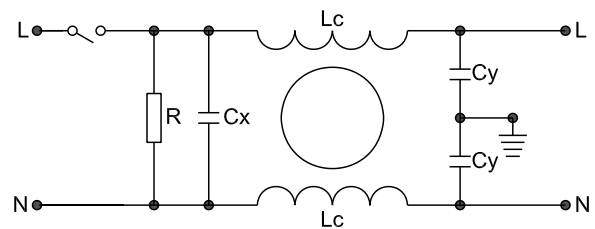


Fig 1

### Specification :

Rated Voltage:	120/250 VAC
Rated Current:	1A ~10A
Operating Frequency:	50/60Hz
Temperature Range:	HPF 25/085/21
Test Voltage ( 1min ):	
Line to Ground:	2000 VAC
Line to Line:	1450VDC

### Filter Selection Table :

Filter	Rated current (A)	Rated voltage (V)	Leakage Current (mA)	Input/Output connections	Electrical Schematic	Dimension
SE8600-1-01	1	120/250	0.5	01	1	1
SE8600-3-01	3	120/250	0.5	01	1	1
SE8600-6-01	6	120/250	0.5	01	1	1
SE8600-10-01	10	120/250	0.5	01	1	1

### Outline Drawing and Dimensions:

(Unit:mm)

All dimensions in mm; 1 inch=25.4mm

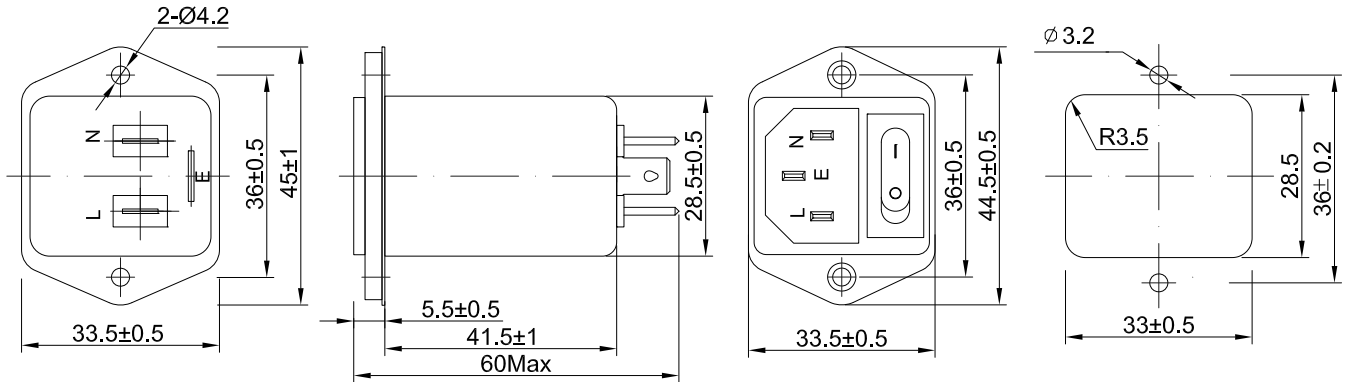
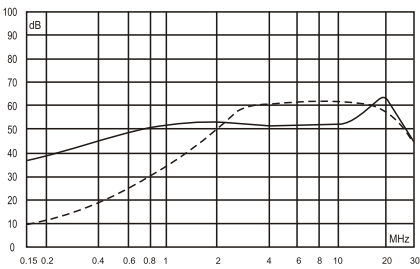


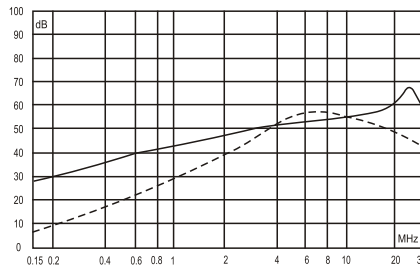
Fig 1

### Insertion Loss in dB:

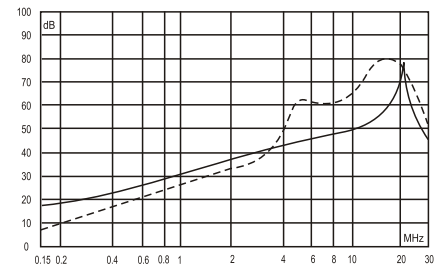
(Measured in 50Ω system , as IEC/CISPR NO.17)



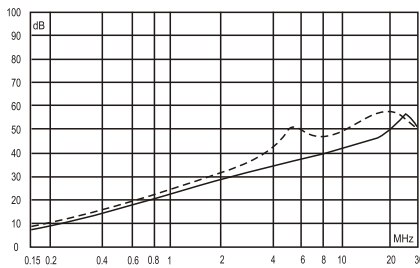
1A



3A



6A



10A

----- Differential Mode  
 ——— Common Mode