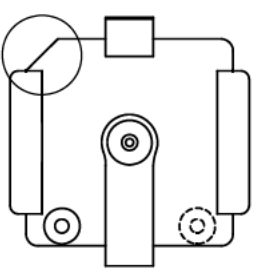
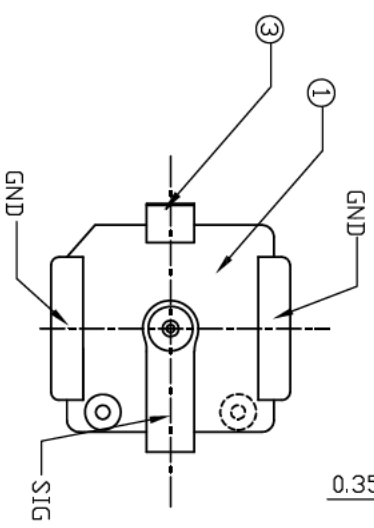
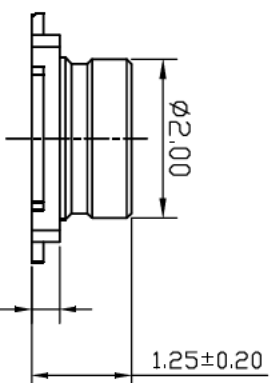
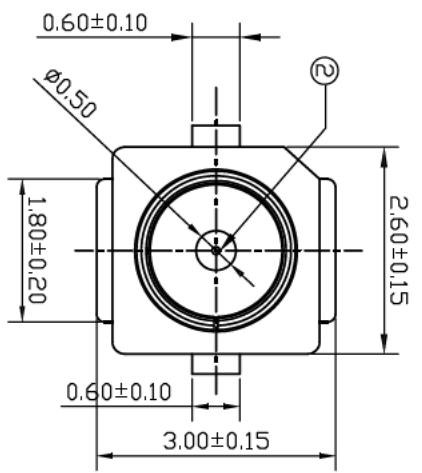
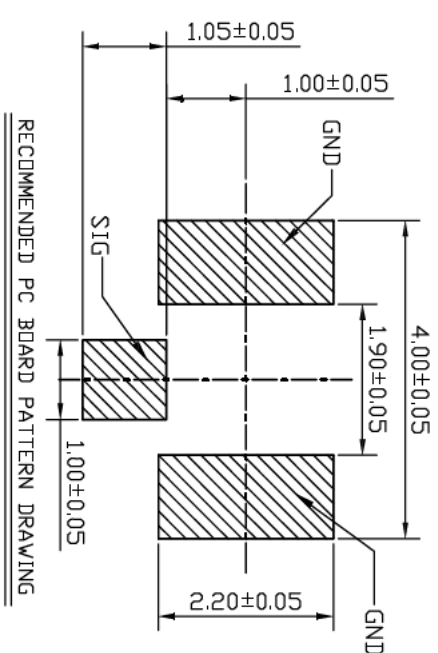


NOTE: IPEX MALE TO PCB



- NOTES:
1. ELECTRICAL CHARACTERISTICS:
 - 1.1 CURRENT RATING: 0.5A MAX;
 - 1.2 IMPEDANCE: 50OHM NOMINAL.
 2. MECHANICAL CHARACTERISTICS:
 - 2.1 OPERATING TEMP. -40° TO 90° ;
 - 2.2 VSWR UP TO 3 GHZ: 1.3 MAX
 - 2.3 DURABILITY: 30 CYCLES.



3	gold
2	gold
1	LOP-UL94V-0
Material	
	Plated

SCHMID-M

APPROVED		GLAZE		DRAWING		DESIGN		PART NAME	
				H.B		H.B		Schmid-M: U.FL-5101.PGB	
DRAWING NO		GLAZE		MATERIAL		UNITS		mm	
						SCALE		FIT	
SYE		DATE		REV.					
		2017/10/12		A					