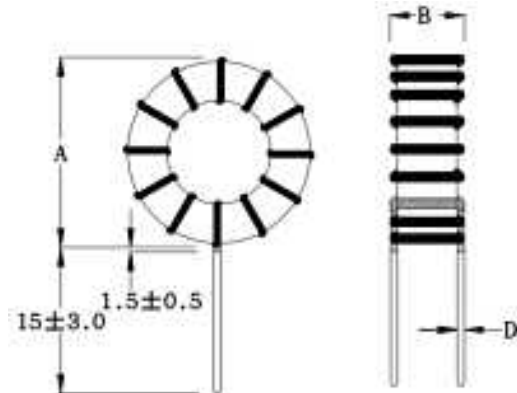
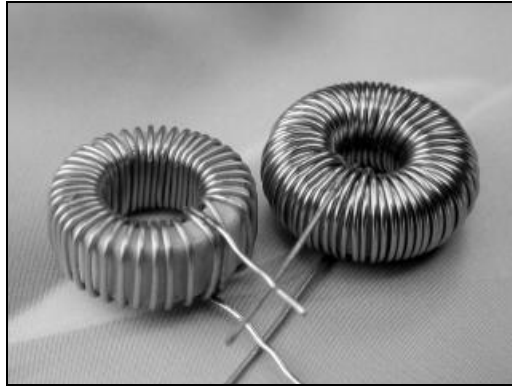


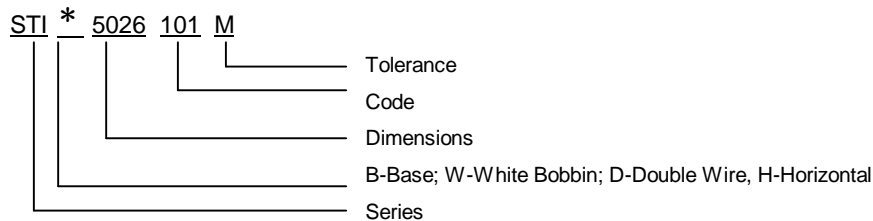
Toroidal Line Choke – STI Series



Features

- Coated with varnish
- High saturation current
- Excellent high current rating

Ordering Information



Characteristic

Part Code	L (μH)	STI4426 14,0*8,0*0,6mm		STI5026 16,0*8,0*0,6mm		STI6026 18,5*9,5*0,6mm		STI6826 20,5*8,5*0,7mm	
		RDC (Ω)	IDC (A)	RDC (Ω)	IDC (A)	RDC (Ω)	IDC (A)	RDC (Ω)	IDC (A)
220	22	0.04	2.50	0.03	3.50	0.02	4.50	0.01	5.00
330	33	0.09	2.00	0.04	2.60	0.03	4.00	0.03	4.10
470	47	0.10	1.80	0.04	2.20	0.05	3.20	0.04	3.60
680	68	0.16	1.40	0.05	1.90	0.06	2.50	0.06	2.80
820	82	0.14	1.30	0.06	1.80	0.10	2.40	0.07	2.40
101	100	0.15	1.30	0.07	1.50	0.11	2.20	0.06	2.00
121	120	0.16	1.10	0.09	1.40	0.15	2.00	0.07	2.00
151	150	0.20	0.95	0.12	1.20	0.10	1.60	0.07	1.60
221	220	0.30	0.90	0.21	0.90	0.12	1.40	0.12	1.40
331	330	0.45	0.70	0.30	0.84	0.21	1.00	0.21	1.20
471	470	0.83	0.60	0.47	0.70	0.33	0.95	0.32	1.00

Other parts are available on request.