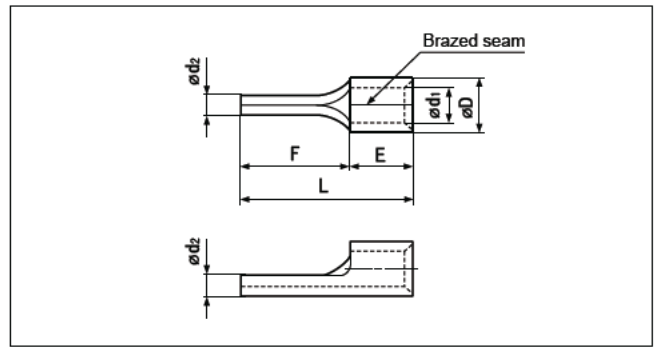


Solderless terminals

PIN Non-insulated



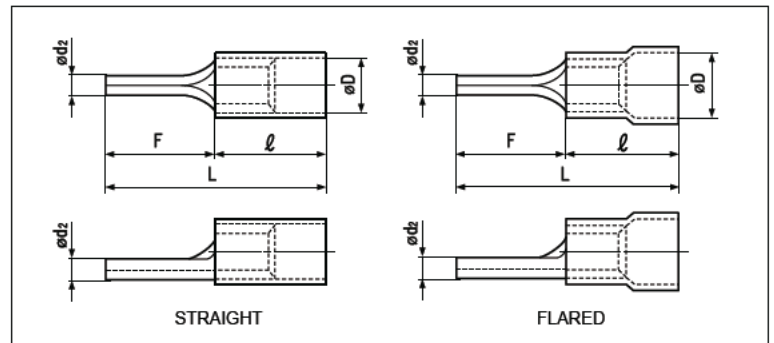
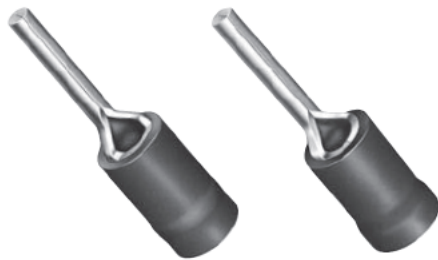
Certificate No.: E42024

Applicable Wire AWG#(mm ²)	Part No.	Standard	Dimensions mm (in.)							Tool No.					Qty/box	
			ϕd_2	L	F	E	ϕD	ϕd_1	Material Thickness	YHT-2622	YHT-2210	YA-1	YA-2	YA-4		BCT-0514L
26 to 22 (0.2 to 0.5)	PC-0.5		1.2 (.047)	14.0 (.551)	10.0 (.394)	4.0 (.157)	2.2 (.087)	1.0 (.039)	0.5 (.020)	o	o	o	o	o	o	1,000
22 to 16 (0.25 to 1.65)	PC-1.25		17.0 (.669)	12.0 (.472)	5.0 (.197)	3.4 (.134)	1.6 (.063)	0.8 (.031)	o	o	o	o	o	o	o	1,000
	PC-1.25 F-10		15.0 (.591)	10.0 (.394)					o	o	o	o	o	o	o	1,000
	PC-1.25 F-9		14.0 (.551)	9.0 (.354)					o	o	o	o	o	o	o	1,000
16 to 14 (1.04 to 2.63)	PC-1.25 F-7	12.0 (.472)	7.0 (.276)	5.0 (.197)	4.1 (.161)	2.3 (.091)	0.8 (.031)	o	o	o	o	o	o	o	1,000	
	PC-2	17.0 (.669)	12.0 (.472)					o	o	o	o	o	o	500		
	PC-2 F-17	22.0 (.866)	17.0 (.669)					o	o	o	o	o	o	1,000		
	PC-2 F-9	14.0 (.551)	9.0 (.354)					o	o	o	o	o	o	1,000		
12 to 10 (2.63 to 6.64)	PC-2 F-7	12.0 (.472)	7.0 (.276)	5.0 (.197)	4.1 (.161)	2.3 (.091)	0.8 (.031)	o	o	o	o	o	o	1,000		
	PC-5.5		2.7 (.106)					20.0 (.787)	14.0 (.551)	6.0 (.236)	5.7 (.224)	3.6 (.142)	1.0 (.039)	o	o	o

Note: 1) The part numbers indicated in the above table are for products with a brazed seam.
When ordering products with a butted seam, add the prefix "WS" to the part number (ex. PC-2 → **WSPC-2**).
2) Delivery lead times may vary depending on the product. Contact JST for details.

Solderless terminals

PIN Vinyl-insulated



Certificate No.: E42024

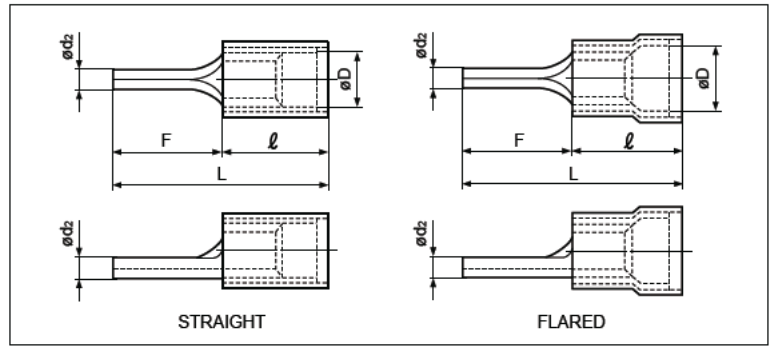
Applicable Wire AWG#(mm ²)	Part No.		Standard	Dimensions mm (in.)							Color	Tool No.					Qty/box		
	Straight	Flared		ϕd_2	L	F	ℓ	ϕD		Material Thickness		YNT-2622	YNT-2216	YNT-1614	YNT-1210S	YA-1		YA-2	YA-4
26 to 22 (0.2 to 0.5)	VPC-0.5	FVPC-0.5		1.2 (.047)	18.0 (.709)	10.0 (.394)	8.0 (.315)	1.9 (.075)	2.9 (.114)	0.5 (.020)	Yellow	o			o	o	o	o	1,000
22 to 16 (0.25 to 1.65)	VPC-1.25	FVPC-1.25		21.0 (.827)	12.0 (.472)	9.0 (.354)	3.2 (.126)	4.0 (.157)	0.8 (.031)	o				o	o	o	o	o	1,000
	VPC-1.25 F-9	FVPC-1.25 F-9		19.0 (.748)	10.0 (.394)					o	o	o	o	o	1,000				
	VPC-1.25 F-7	FVPC-1.25 F-7		18.0 (.709)	9.0 (.354)					o	o	o	o	o	1,000				
16 to 14 (1.04 to 2.63)	VPC-2	FVPC-2	16.0 (.630)	7.0 (.276)	9.0 (.354)	3.9 (.154)	4.5 (.377)	0.8 (.031)	o				o	o	o	o	o	1,000	
	VPC-2 F-17	FVPC-2	21.0 (.827)	12.0 (.472)					o	o	o	o	o	1,000					
	VPC-2 F-9	FVPC-2 F-9	26.0 (1.024)	17.0 (.669)					o	o	o	o	o	1,000					
12 to 10 (2.63 to 6.64)	VPC-5.5	FVPC-5.5		2.7 (.106)	27.5 (1.083)	14.0 (.551)	13.5 (.531)	5.4 (.213)	6.8 (.268)	1.0 (.039)	Yellow	o			o	o	o	o	500


Note: 1) The part numbers indicated in the above table are for products with a brazed seam.
When ordering products with a butted seam, add the prefix "WS" to the part number (ex. FVPC-2 → **FWVSPC-2**).
2) *The crimping will be more secure if the total cross-sectional area of the wire is at least 0.5 mm².
Examples: If the cross-sectional area of the wire is 0.3 mm², fold the wire in two when crimping the terminal.
If the cross-sectional area of the wire is 0.5 mm², crimp the terminal onto the wire as it is.
3) Delivery lead times may vary depending on the product. Contact JST for details.




Solderless terminals



PIN Vinyl-insulated with copper sleeve



Certificate No.:  E42024

Applicable Wire AWG# (mm ²)	Part No.		Standard	Dimensions mm (in.)								Color	Tool No.						Qty/box			
	Straight	Flared		ϕd_2	L		F	ℓ		ϕD			Material Thickness	YNT-2622	YNT-2216	YNT-1614	YNT-1210S	YA-1		YA-2	YA-4	BCT-0514L
					Str.	Flid.		Str.	Flid.	Str.	Flid.											
26 to 22 (0.2 to 0.5)	VDPC-0.5	—		1.2 (.047)	18.0 (.709)	18.3 (.720)	10.0 (.394)	8.0 (.315)	8.3 (.327)	2.2 (.087)	2.5 (.098)	0.5 (.020)	Yellow	o			o	o	o	o	1,000	
22 to 16 (0.25 to 1.65)	—	FVDPC-1.25		1.9 (.075)	21.6 (.850)	12.0 (.472)	9.6 (.378)	3.5 (.138)	4.0 (.157)	0.8 (.031)	Red	o			o	o	o	o	o	500		
	VDP-1.25 F-10	FVDPC-1.25 F-10			19.6 (.772)	10.0 (.394)																
16 to 14 (1.04 to 2.63)	—	FVDPC-1.25 F-9		1.9 (.075)	18.6 (.732)	9.0 (.354)	9.6 (.378)	4.1 (.161)	4.7 (.185)	0.8 (.031)	Blue		o		o	o	o	o	o	500		
	—	FVDPC-2 F-9			18.6 (.732)	9.0 (.354)																
12 to 10 (2.63 to 6.64)	—	FVDPC-5.5		2.7 (.106)	28.0(1.102)	14.0 (.551)	14.0 (.551)	5.7 (.224)	6.5 (.256)	1.0 (.039)	Yellow			o			o	o	500			

Note: 1) The part numbers indicated in the above table are for products with a brazed seam.

When ordering products with a butted seam, add the prefix "WS" to the part number (ex. FVDPC-2 → **FVDWSPC-2**).

2) Delivery lead times may vary depending on the product. Contact JST for details.