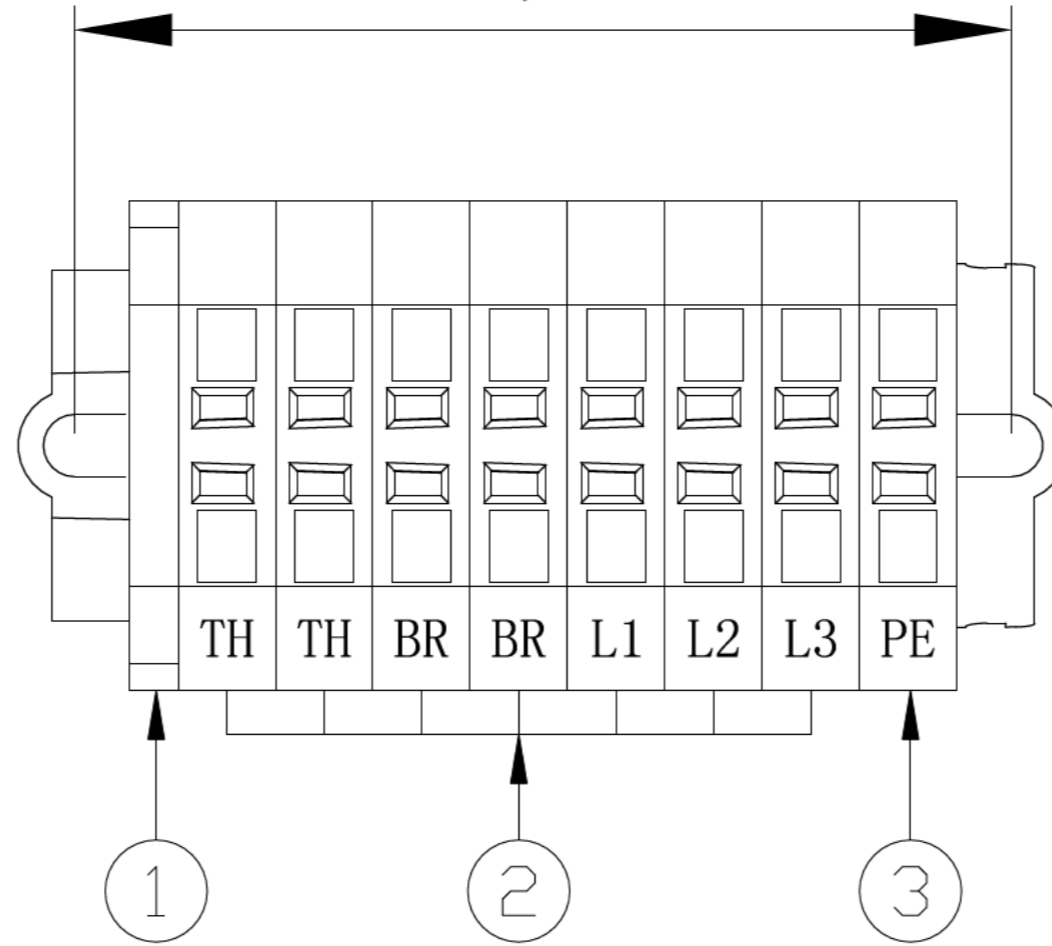


REVISION RECORD

REV	ECN	DESCRIPTION	DRFT	DATE
1	DCN			

48, 14

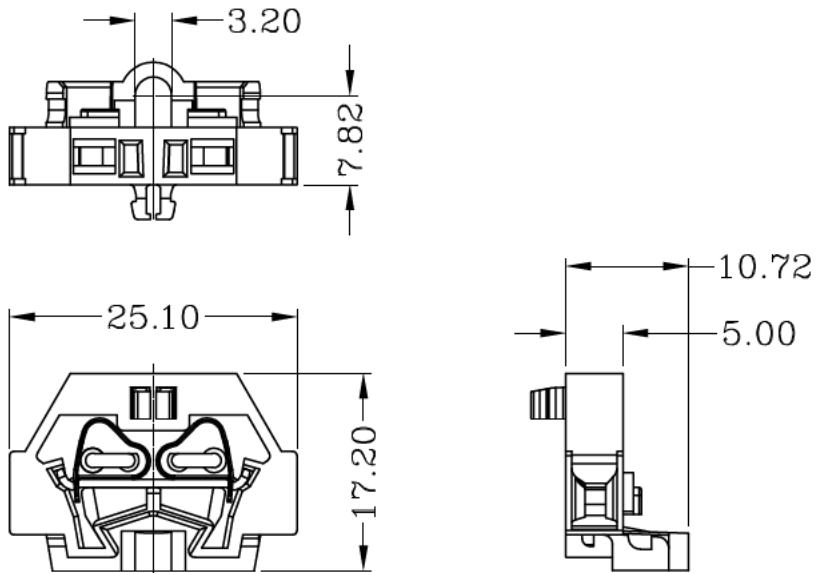


3	240306	240 Terminal, Green-Yellow color	
2	240301	240 Terminal, Gray color	
1	240621	240 type cover	
ITEM	P/N	DESCRIPTION	USAGE

Pitch Range In mm		Nominal Dimension Range In mm					
TO	Over	TO	Over	TO	Over	TO	Over
6	10	50	100	200	400	0.1/10	
10	24	50	100	200	400		
		±0.50	±1.00	±2.00	±3.00	±4.00	±2'

					Name	Schmid-M: 191129000-24030X	Tolerance		Surface	
					Drawing No.		Progress	Revision	Weight	Scale
					Material		M	1		1:1
					Item No.	4	1 of 1		mm	
					Approve	04-12-2019	SCHMID-M			

Product Specification



IEC Rated data	
Wire range	0.2-1.5mm ²
Solid	0.2-1.5mm ²
Stranded	0.2-1.5mm ²
Stranded with ferrules without plastic sleeve	0.2-1.0mm ²
Stranded with ferrules with plastic sleeve	0.2-1.0mm ²
Strip length	8-9mm
Rated voltage	400V
Rated current	18A
Rated surge voltage	6KV
Pollution degree	3
Surge voltage category	III
Other information	
Housing	PA66
Contact	Copper alloy
Coating	Tin Plated
Flame retardant rating	UL94-V0
Usage ambient temperture	-25°C - +70°C
Strrage ambient temperature	-40°C - +85°C
Approval	

Order Info

PART NUMBER	COLOR
240301	Gray
240302	Orange
240303	Light Gray
240304	Blue
240305	Yellow
240306	Green
240309	Pink
240307	Green-yellow

	0-3	>3-6	>6-10	>10-14	>14-18	>18-24	>24-30	>30-40	>40-50	>50-65	>65-80	>80-100	>100-120	>120-140
	±0.08	±0.09	±0.10	±0.12	±0.14	±0.16	±0.18	±0.21	±0.24	±0.28	±0.32	±0.36	±0.41	±0.46

	Unit	mm	Rev. 01	Name Schmid-M 191129000-24030X