

# TECHNICAL SPECIFICATION

**DESCRIPTION**

**INDUCTOR**

**MODEL**

SCCON-H-502-3, 8A L36-4.9mH

**CUSTOMER:**

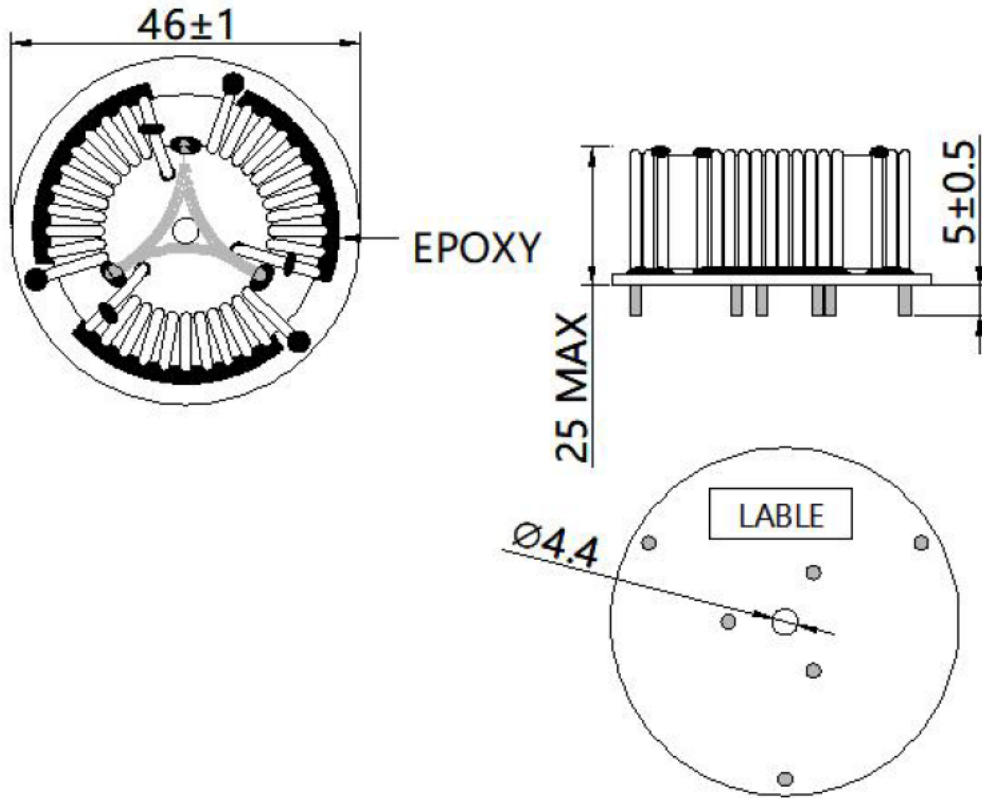
**CUSTOMER PART NO. :**

**DATE:**

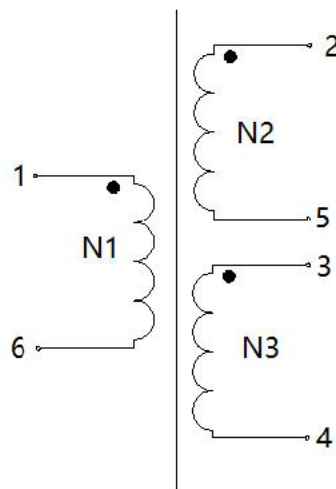
DRAWER	CHECKED	APPROVED	DATE	NO. REV	PAGE
Wagner	Vanda		2023.07.25		1/3

DESCRIPTION	MODEL	PROVISIONAL DEVELOPING CODE	CUSTOMER	CUSTOMER PART	DATE
INDUCTOR	L36-4.9mH (8A)				

◆ MACHANICAL DRAWING Unit : mm



◆ ELECTRICAL CHARACTERISTIC AND DRAWING



DRAWER	CHECKED	APPROVED	DATE	NO. REV	PAGE
Wagner	Vanda		2023.07.25		2/3

SCCON-H-502-3, 8A L36-4.9mH

**SCHMID-M**

DESCRIPTION	MODEL	PROVISIONAL CODE	DEVELOPING	CUSTOMER	CUSTOMER NO.	PART	DATE
<b>INDUCTOR</b>	<b>L36-4.9mH (8A)</b>						

NO.	ITEMS	REQUEST
1	INDUCTANCE	$L_{1-6}=L_{2-5}=L_{3-4}=4.9\text{mH} \pm 30\%$ @10KHz 0.3V
2	HI-POT TEST	1-2-3, AC2.5KV、50Hz、10mA、3S

## ◆ SECTION OF THE WINDING

Wind	N°×Φ[mm]	Grade; Temp. [°C]
N1	1.0	180°C QZY
N2	1.0	180°C QZY
N3	1.0	180°C QZY

## ◆ LIST OF MATERIAL

NO.	NAME	SPECIFICATION	SUPPLIER	UL CERT.NO
1	FERRITE	Φ36*23*15mm	RIZHAO YIXIN ELECTRONIC MATERIALS CO., LTD.	
2	COPPER WIRE	QZ CLASS 180°C	ZHEJIANG GRANDWALL ELECTRIC SCIENCE& TECHNOLOG CO LTD	E206121
		QZ CLASS 180°C	ZGEJIANG XIANDENG GAOKE ELECTRIC Co.,LTD	E488183
3	EPOXY	420-6	TIANJIN AAKEN TECHNOLOGY CO., LTD	
4	BASE	PHENOLIC RESIN	CHANG CHUN PLASTING CO.,LTD	E59481

DRAWER	CHECKED	APPROVED	DATE	NO. REV	PAGE
Wagner	Vanda		2023.07.25		3/3