

Features

1WATT SIP PACKAGE
 EFFICIENCY TO 82%
 100% BURNED IN
 No-load Input Current as Low as 5mA
 UL 94V-0 PACKAGE MATERIAL
 CUSTOM SOLUTIONS AVAILABLE
 UNREGULATED OUTPUT TYPES



1 Watt Dual O/P
 Isolated DC-DC Converter



Input Specifications

Input Voltage	:5Vdc
Input Voltage Range	:±10%

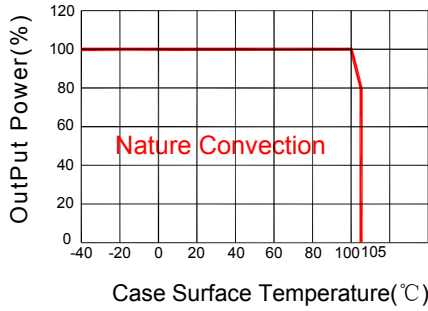
Output Specifications

Output Voltage	:5Vdc	
Output Voltage Accuracy	:±5%	@Vout=4.75~5.25Vdc@Vin=5Vdc
Output Current	:200mA	
Efficiency	:82% TYP	
Ripple / Noise	:30mVp-p TYP, 75mVp-p MAX	@20MHz Bandwidth
Short Circuit Protection	: Continuous	
Line Regulation	:±1.2% TYP	@For 1.0% OF Vin
Load Regulation	:±10% TYP, ±15% MAX	@10% to 100% full load
Capacitive Load	:2400uF MAX	

General Specifications

Operating Temperature Range	: -40°C ~ +105°C	
Storage Temperature	: -55°C ~ +125°C	
Switching Frequency	: 370KHz TYP	
Humidity	: 95% MAX	
Isolation Voltage	: 6000Vdc	@Input to Output (60sec/0.5mA)
Isolation Resistance	: 1000MΩ MIN	@ 500Vdc
Cooling	: Free air convection	
MTBF	: >3500000 Hours	MIL-HDBK-217F@25°C, Ground Benign.
Case Material	: DAP	
Weight	: 2.1g TYP	
EMI	CE	CISPR32/EN55032 CLASS B (see Fig. 1 for recommended circuit)
	RE	CISPR32/EN55032 CLASS B (see Fig. 1 for recommended circuit)
EMS	ESD	IEC/EN61000-4-2 Air ±8kV , Contact ±4kV perf. Criteria B

Temperature Derating Graph



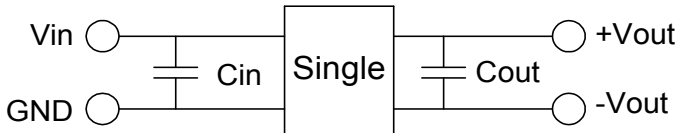
Part Number

S12DC - 05 S 05 N P H6

A B C D E F G

- A:Series
- B:Input Voltage
- C:Single Output
- D:Output Voltage
- E:Unregulated(N)
- F:Protection
- G:Isolation Voltage

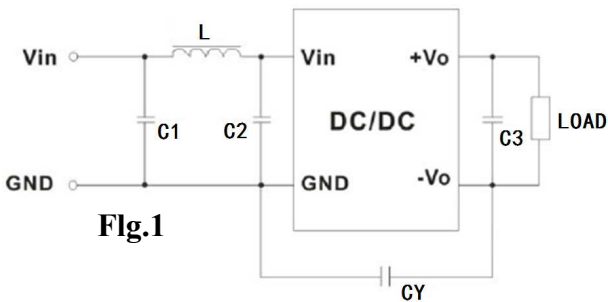
Recommended Test Circuit



Vin	Cin	SingleVout	Cout
5Vdc	4.7µF/25V	5Vdc	10µF/16V

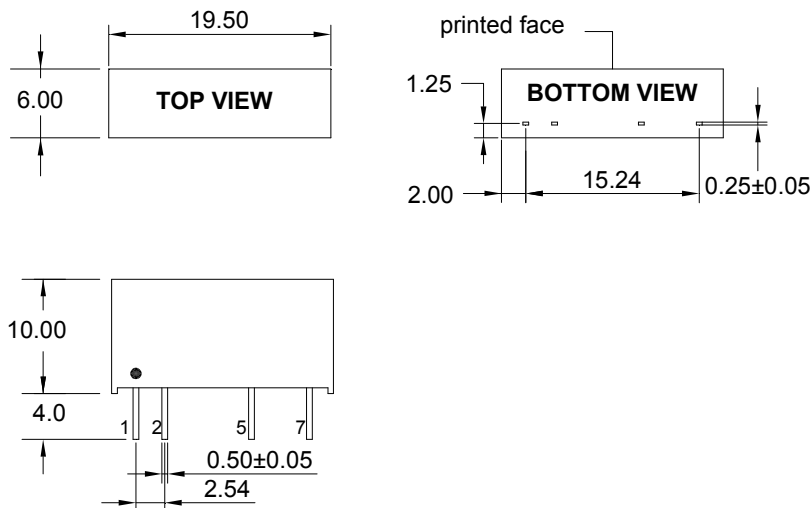
To make sure the product work at perfect operation status with full loading external capacitor is necessary and it is recommended to use high frequency low resistance electrolytic capacitor.

EMC (CLASS B) compliance circuit



EMC recommended circuit value table		
EMI	C1	4.7µF /50V
	C2	4.7µF /50V
	CY	1nF/4kV
	C3	Recommended Test Circuit
	L	6.8µH

Outline Dimensions



UNIT:mm Unless otherwise specified,all tolerances are ±0.25

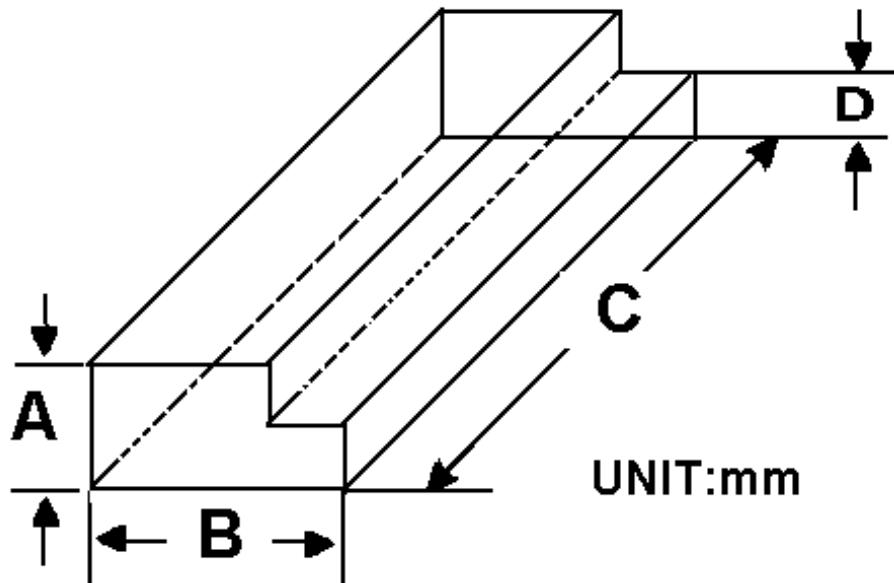
PIN	1	2	5	7
Single	+Vin	-Vin	-Vout	+Vout

Packing Information:

Weight----- 2.1grams/pcs

TUBE-----25pcs

Weight: 73g per tube



Size(mm)			
A	B	C	D
9.50	16.50	522	5.00

Outer carton unit: 2500pcs/100Tube/box

Weight: 7.5kg per carton

