

PT-IQ-PTB-UT - Supply and remote module



2800768

<https://www.phoenixcontact.com/cz/produkty/2800768>

Please be informed that the data shown in this PDF document is generated from our online catalog. Please find the complete data in the user documentation. Our general terms of use for downloads are valid.



Module for power supply and multi-stage, floating remote signaling of connected surge protection modules.

Your advantages

- Predictive monitoring with 3-stage LED display
- Integration of the status message into the system controller via group remote signaling
- Install quickly and error-free with DIN rail connectors
- Supply of up to 28 protective devices due to high feed-in power
- Maximum ease of maintenance, thanks to the 2-piece design

Commercial data

Item number	2800768
Packing unit	1 pc
Minimum order quantity	1 pc
Sales key	CL2
Product key	CL2151
Catalog page	Page 120 (C-4-2019)
GTIN	4046356647984
Weight per piece (including packing)	118.6 g
Weight per piece (excluding packing)	78 g
Customs tariff number	85363010
Country of origin	DE

Technical data

Notes

General	Remote signaling as well as the power supply of the DIN rail connector are established by snapping the module into place on the DIN rail connector.
---------	---

General

Note	Remote signaling as well as the power supply of the DIN rail connector are established by snapping the module into place on the DIN rail connector.
------	---

Product properties

Type	DIN rail module, two-section, divisible
Product type	Surge protection for MCR technology
Product family	PLUGTRAB IQ

Insulation characteristics

Overvoltage category	II
Pollution degree	2

Electrical properties

Indicator/remote signaling

Switching function	2x N/C contacts
--------------------	-----------------

Supply: Status indicator/remote signaling

Operating voltage	20 V DC ... 30 V DC
Rated current	max. 130 mA (24 V DC)
	max. 160 mA (20 V DC)
Max. required back-up fuse	500 mA (T)
Number of surge protection modules that can be mounted side by side	28 (32 °C)

Connection data

Connection method	Screw connection
Screw thread	M3
Tightening torque	0.5 Nm
Conductor cross section flexible	0.2 mm ² ... 2.5 mm ²
Conductor cross section rigid	0.2 mm ² ... 4 mm ²
Conductor cross section AWG	24 ... 12

Ex data

Altitude	≤ 2000 m (amsl)
Ambient temperature (operation)	-40 °C ... 50 °C (T6)
	-40 °C ... 70 °C (T4)
Number of surge protection modules that can be mounted side	max. 10

PT-IQ-PTB-UT - Supply and remote module

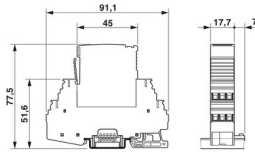


2800768

<https://www.phoenixcontact.com/cz/produkty/2800768>

by side	
Operating voltage	20 V DC ... 30 V DC
Nominal current I_N	max. 130 mA (at 20 V DC)
max. input voltage U_m	35 V DC
Maximum switching voltage U_m	60 V DC

Dimensions

Dimensional drawing	
Width	17.7 mm
Height	91.1 mm
Depth	77.5 mm (incl. DIN rail 7.5 mm)
Horizontal pitch	1 Div.

Material specifications

Flammability rating according to UL 94	V-0
Housing material	PA 6.6

Mechanical properties

Mechanical data

Open side panel	No
-----------------	----

Protective circuit

Surge protection fault message	Optical, multi-stage remote indication contact
Max. required back-up fuse	500 mA (F)

Environmental and real-life conditions

Ambient conditions

Degree of protection	IP20
Ambient temperature (operation)	-40 °C ... 70 °C
Ambient temperature (storage/transport)	-40 °C ... 85 °C
Altitude	≤ 4000 m (amsl)
Permissible humidity (operation)	5 % ... 95 %

Standards and regulations

Standards/specifications	EN 61000-6-2
Note	2005
Standards/specifications	EN 61000-6-3
Note	2007 + A1:2011
Standards/specifications	EN 60950-1

PT-IQ-PTB-UT - Supply and remote module



2800768

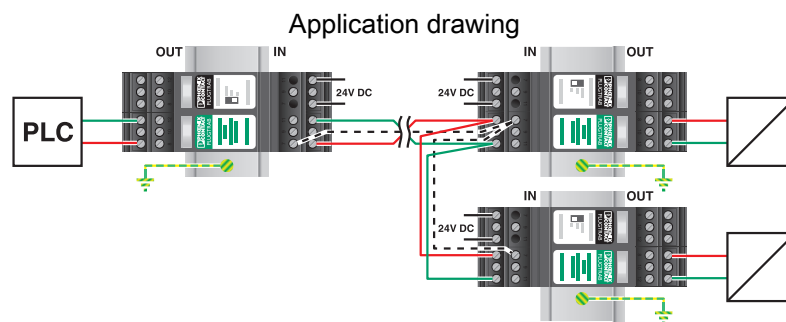
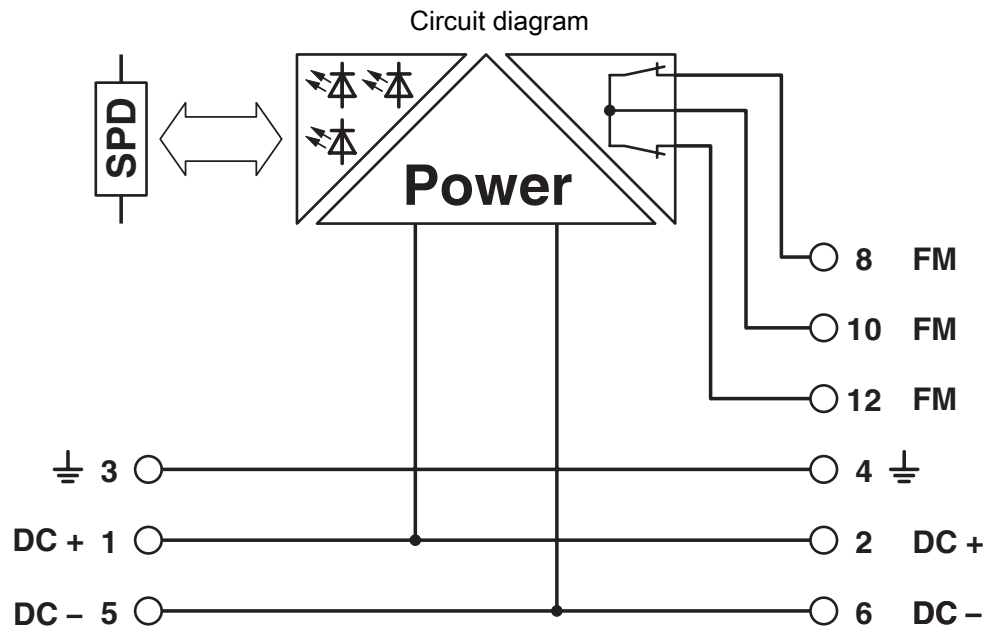
<https://www.phoenixcontact.com/cz/produkty/2800768>

Note	2006 + A2:2013
Standards/specifications	EN 60079-0
Note	2018
Standards/specifications	EN 60079-11
Note	2012
Standards/specifications	EN 60079-15
Note	2010
Standards/specifications	IEC 60079-0
Note	2017
Standards/specifications	IEC 60079-11
Note	2011
Standards/specifications	IEC 60079-15
Note	2010

Mounting

Mounting type	DIN rail: 35 mm
---------------	-----------------

Drawings

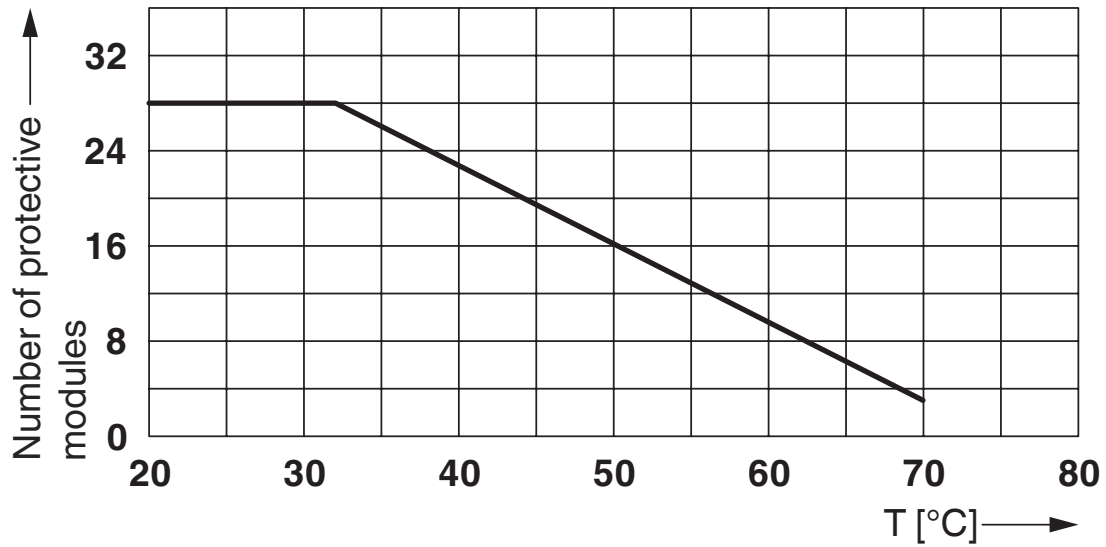


PT-IQ-PTB-UT - Supply and remote module

2800768

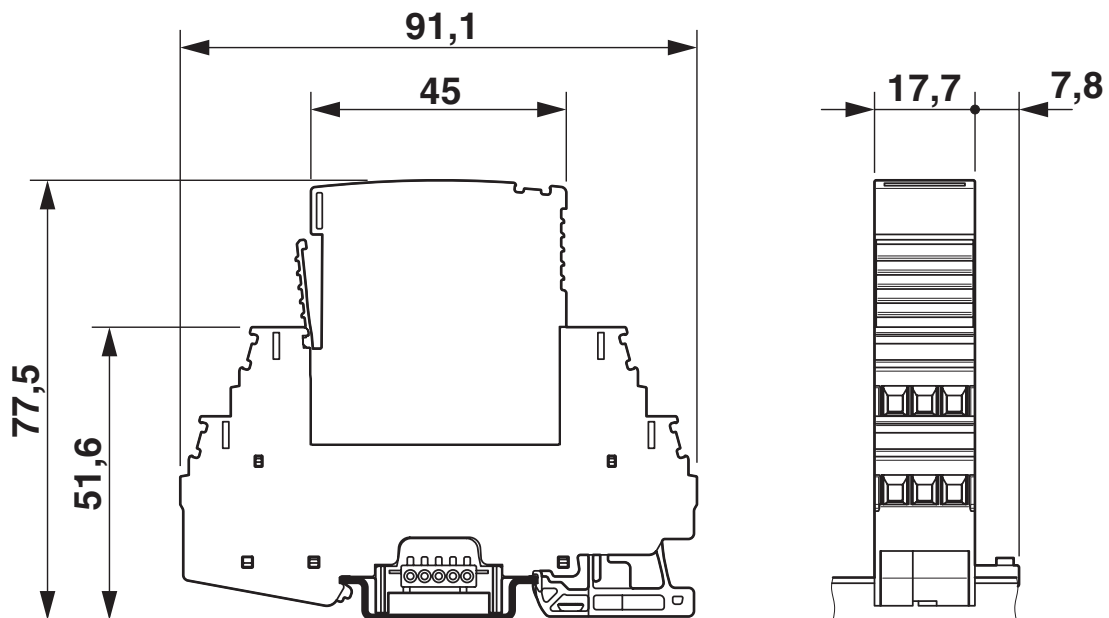
<https://www.phoenixcontact.com/cz/produkty/2800768>

Diagram



Alignable protection modules depending on the ambient temperature in "non-Ex" installations

Dimensional drawing



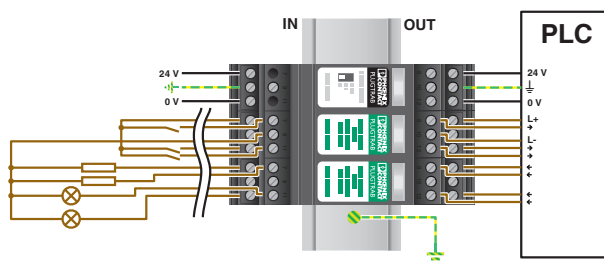
PT-IQ-PTB-UT - Supply and remote module

2800768

<https://www.phoenixcontact.com/cz/produkty/2800768>



Application drawing



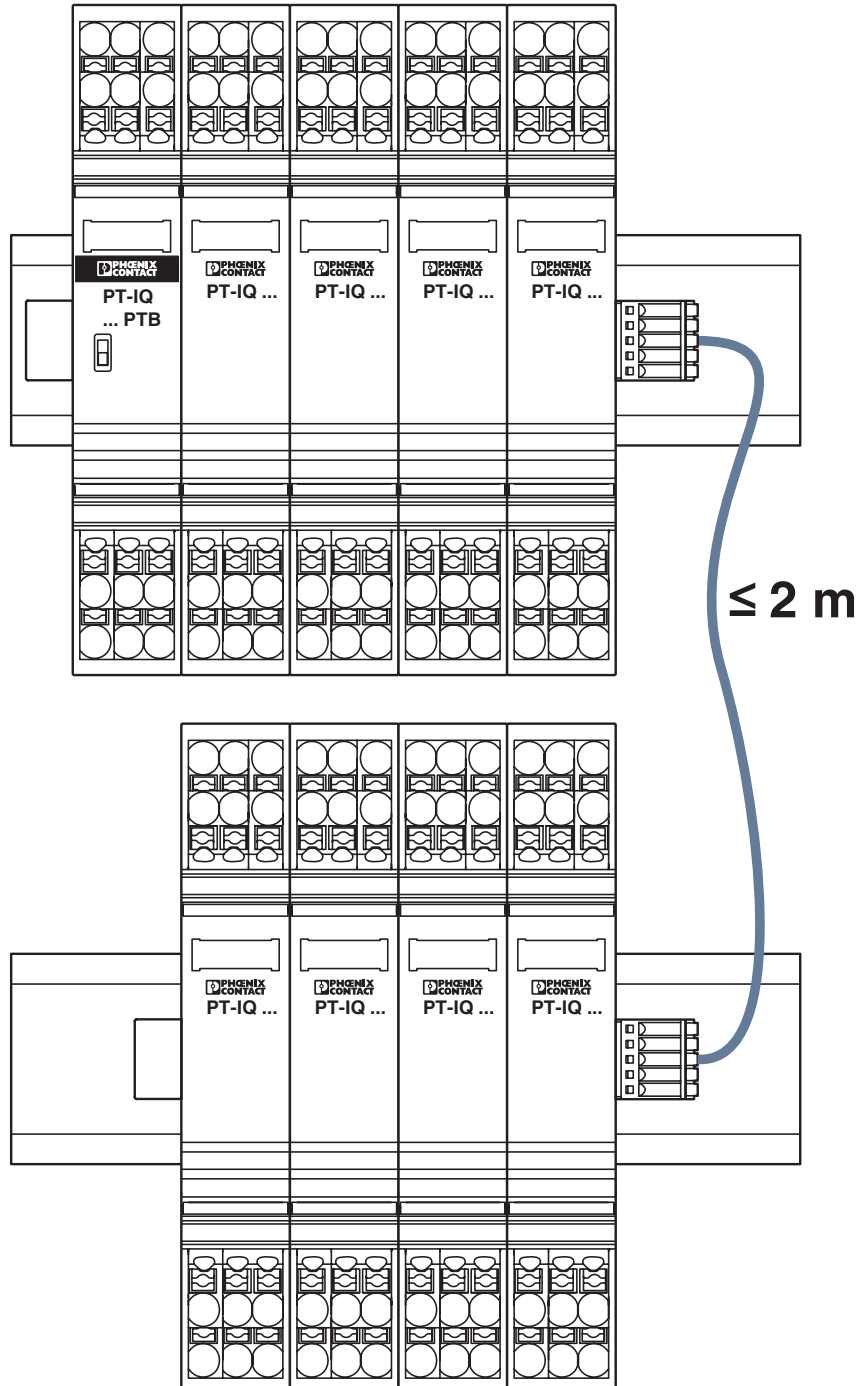
PT-IQ-PTB-UT - Supply and remote module

2800768

<https://www.phoenixcontact.com/cz/produkty/2800768>



Schematic diagram




2800768


<https://www.phoenixcontact.com/cz/produkty/2800768>


Approvals


To download certificates, visit the product detail page: <https://www.phoenixcontact.com/cz/produkty/2800768>


 **CSA**
Approval ID: 2761632


 **EAC**
Approval ID: EAC-Zulassung


 **EAC**
Approval ID: RU C-DE.*09.B.00169


 **UL Listed**
Approval ID: FILE E 138168


 **CSAus**
Approval ID: 2761632


 **IECEX**
Approval ID: IECEX BVS 14.0017X

 **cUL Listed**
Approval ID: FILE E 333250

 **UL Listed**
Approval ID: FILE E 333250

 **ATEX**
Approval ID: BVS 14 ATEX E 020 X

 **NEPSI-EX**
Approval ID: GYJ20.1158X

 **CCC**
Approval ID: 2020322316001010

PT-IQ-PTB-UT - Supply and remote module



2800768

<https://www.phoenixcontact.com/cz/produkty/2800768>



UKCA-EX

Approval ID: DEKRA 23UKEX0111X

cCSAus

cULus Listed

PT-IQ-PTB-UT - Supply and remote module



2800768

<https://www.phoenixcontact.com/cz/produkty/2800768>

Classifications

ECLASS

ECLASS-11.0	27130813
ECLASS-13.0	27171501

ETIM

ETIM 8.0	EC001627
----------	----------

UNSPSC

UNSPSC 21.0	39121600
-------------	----------

PT-IQ-PTB-UT - Supply and remote module



2800768

<https://www.phoenixcontact.com/cz/produkty/2800768>

Environmental product compliance

REACH SVHC	Lead 7439-92-1
China RoHS	Environmentally Friendly Use Period = 50 years
	For information on hazardous substances, refer to the manufacturer's declaration available under "Downloads"

2800768

<https://www.phoenixcontact.com/cz/produkty/2800768>

Accessories

ZBF 5:UNBEDRUCKT - Zack Marker strip, flat

0808642

<https://www.phoenixcontact.com/cz/produkty/0808642>



Zack Marker strip, flat, Strip, white, unlabeled, can be labeled with: PLOTMARK, CMS-P1-PLOTTER, mounting type: snapped, for terminal block width: 5 mm, lettering field size: 5.1 x 5.2 mm, Number of individual labels: 10

ZBF 5/WH-100:UNBEDRUCKT - Zack Marker strip, flat

0808668

<https://www.phoenixcontact.com/cz/produkty/0808668>



Zack Marker strip, flat, Strip, white, unlabeled, can be labeled with: CMS-P1-PLOTTER, PLOTMARK, mounting type: snapped, for terminal block width: 5 mm, lettering field size: 5.15 x 5.15 mm, Number of individual labels: 1000

2800768

<https://www.phoenixcontact.com/cz/produkty/2800768>

ZBF 5,LGS:FORTL.ZAHLEN - Zack Marker strip, flat

0808671

<https://www.phoenixcontact.com/cz/produkty/0808671>



Zack Marker strip, flat, Strip, white, labeled, printed horizontally: consecutive numbers 1 ... 10, 11 ... 20, etc. up to 491 ... 500, mounting type: snapped, for terminal block width: 5 mm, lettering field size: 5.15 x 5.15 mm, Number of individual labels: 10

ZBF 5,LGS:GERADE ZAHLEN - Zack Marker strip, flat

0810821

<https://www.phoenixcontact.com/cz/produkty/0810821>



Zack Marker strip, flat, Strip, white, labeled, printed horizontally: consecutive even numbers 2 ... 20, 22 ... 40, etc. up to 82 ... 100, mounting type: snapped, for terminal block width: 5 mm, lettering field size: 5.15 x 5.15 mm, Number of individual labels: 10

PT-IQ-PTB-UT - Supply and remote module

2800768

<https://www.phoenixcontact.com/cz/produkty/2800768>

ZBF 5,LGS:UNGERADE ZAHLEN - Zack Marker strip, flat

0810863

<https://www.phoenixcontact.com/cz/produkty/0810863>



Zack Marker strip, flat, Strip, white, labeled, printed horizontally: Odd numbers 1 - 19, 21 - 39, etc. up to 81 - 99, mounting type: snapped, for terminal block width: 5 mm, lettering field size: 5.15 x 5.15 mm, Number of individual labels: 10

ZBF 5,QR:FORTL.ZAHLEN - Zack Marker strip, flat

0808697

<https://www.phoenixcontact.com/cz/produkty/0808697>



Zack Marker strip, flat, Strip, white, labeled, Printed vertically: consecutive numbers 1 ... 10, 11 ... 20, etc. up to 91 ... 100, mounting type: snapped, for terminal block width: 5 mm, lettering field size: 5.15 x 5.15 mm, Number of individual labels: 10

PT-IQ-PTB-UT - Supply and remote module

2800768

<https://www.phoenixcontact.com/cz/produkty/2800768>

ZBN 18:UNBEDRUCKT - Zack marker strip

2809128

<https://www.phoenixcontact.com/cz/produkty/2809128>



Zack marker strip, Strip, white, unlabeled, can be labeled with: CMS-P1-PLOTTER, PLOTMARK, mounting type: snapped, for terminal block width: 18 mm, lettering field size: 18 x 5 mm, Number of individual labels: 5

E/ME TBUS NS35 GY - End clamp

2713780

<https://www.phoenixcontact.com/cz/produkty/2713780>



End clamp, stable construction for DIN rail bus connector

PT-IQ-PTB-UT - Supply and remote module



2800768

<https://www.phoenixcontact.com/cz/produkty/2800768>

FK-MC 0,5/ 5-ST-2,5 - PCB connector

1881354

<https://www.phoenixcontact.com/cz/produkty/1881354>



PCB connector, nominal cross section: 0.5 mm², color: green, nominal current: 4 A, rated voltage (III/2): 160 V, contact surface: Tin, contact connection type: Socket, number of potentials: 5, number of rows: 1, number of positions: 5, number of connections: 5, product range: FK-MC 0,5/..-ST, pitch: 2.5 mm, connection method: Push-in spring connection, conductor/PCB connection direction: 0 °, plug-in system: COMBICON FK-MC 0,5, locking: without, mounting: without, type of packaging: packed in cardboard

SSA 3-6 - Shield connection

2839295

<https://www.phoenixcontact.com/cz/produkty/2839295>

Shield fast connection for 3 ... 6 mm cable diameter. Potential connecting cable: 200 mm, 1 mm², color: black



PT-IQ-PTB-UT - Supply and remote module



2800768

<https://www.phoenixcontact.com/cz/produkty/2800768>

SSA 5-10 - Shield connection

2839512

<https://www.phoenixcontact.com/cz/produkty/2839512>



Shield fast connection for 5 ... 10 mm cable diameter. Potential connecting cable: 200 mm, 1 mm², color: black

X-PEN 0,35 - Marker pen

0811228

<https://www.phoenixcontact.com/cz/produkty/0811228>



Marker pen without ink cartridge, for manual labeling of markers, labeling extremely wipe-proof, line thickness 0.35 mm

PT-IQ-PTB-UT - Supply and remote module

2800768

<https://www.phoenixcontact.com/cz/produkty/2800768>

SZS 0,6X3,5 VDE - Screwdriver

1212602

<https://www.phoenixcontact.com/cz/produkty/1212602>



Screwdriver, slot-headed, VDE insulated, size: 0.6 x 3.5 x 100 mm, 2-component grip, with non-slip grip

SZS 0,4X2,5 VDE - Screwdriver

1205037

<https://www.phoenixcontact.com/cz/produkty/1205037>



Screwdriver, slot-headed, VDE insulated, size: 0.4 x 2.5 x 80 mm, 2-component grip, with non-slip grip

PT-IQ-PTB-UT - Supply and remote module

2800768

<https://www.phoenixcontact.com/cz/produkty/2800768>

PT-IQ-PTB-P - Plug

2800989

<https://www.phoenixcontact.com/cz/produkty/2800989>



Replacement plug for the PLUGTRAB PT-IQ-PTB... supply and remote signaling module

PT-IQ-PTB-BE-UT - Surge protection base-element

2905364

<https://www.phoenixcontact.com/cz/produkty/2905364>



Base element for the PLUGTRAB PT-IQ-PTB... supply and remote signaling module

PT-IQ-PTB-UT - Supply and remote module

2800768

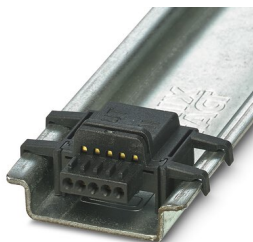
<https://www.phoenixcontact.com/cz/produkty/2800768>



PT-IQ-17,5-TBUS-5-2.0 - DIN rail bus connectors

2906878

<https://www.phoenixcontact.com/cz/produkty/2906878>



DIN rail connector for PT-IQ system for establishing remote signaling and the power supply when a surge protection module is snapped on.

Phoenix Contact 2023 © - all rights reserved

<https://www.phoenixcontact.com>

PHOENIX CONTACT, s.r.o.

Dornych 47

617 00 Brno

+420 542 213 401

obchod@phoenixcontact.com