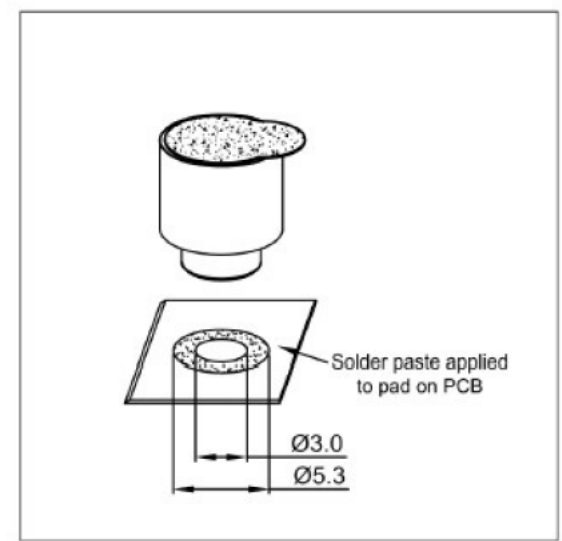
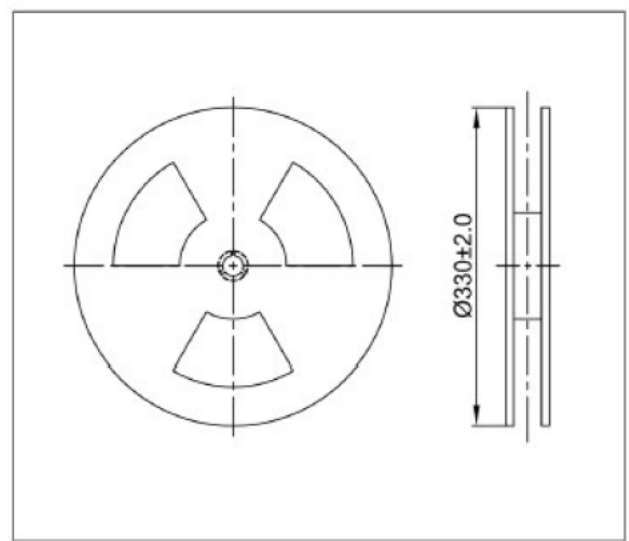
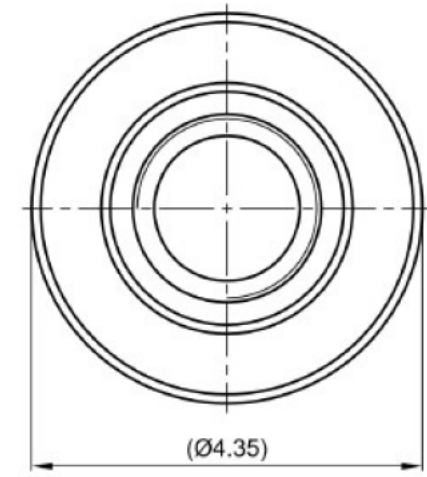
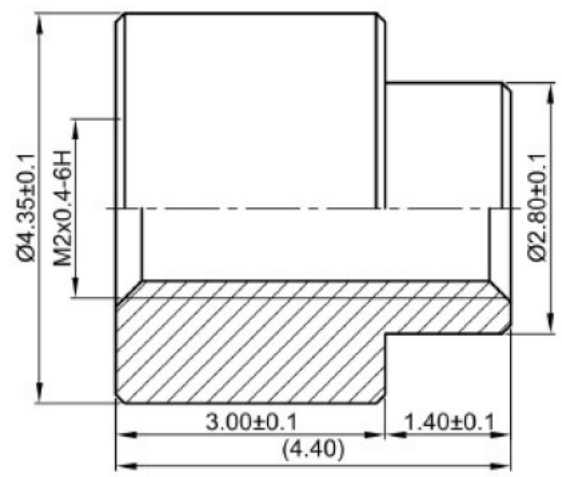




1.6

EC No.	EC Description	DR.
△	/	/



- NOTES:
- 1.Material:Steel 1215MS;
 - 2.Surface Treatment: Tin Plated;
 - 3.Remove all bur and sharpe angle ,product is clean;
 - 4.Packaged on 13" recyclable reels, Tape width is 24mm
Supplied with polyimide patch for vacuum pick up, Reels conform to IEC 60286-3:2007 Package:800 pcs/Reel;
 - 5.RoHS Compliant.

	①	1	/	/	See Note 1	See Note 3	/	
	Part Item	QTY.	Name	Description	Material	Surface Treatment	Remark	
	DR.	LEX 2014.10.21	CHKD.	APPD.	Unit net weight ≈ / g	 	Rough weight ≈ / g	
UNIT: mm				TITLE: PFPE2819R00				
DIM Tol.: X.± X°.± .X± .X°± .XX± .XX°± .XXX± .XXX°±				Drawing#:		P/N: /	REV. A	Sheet 1 of 1
Patron Passive Elektronik								