

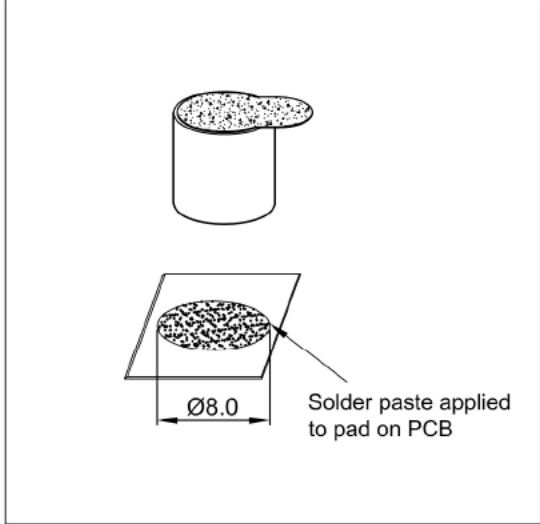
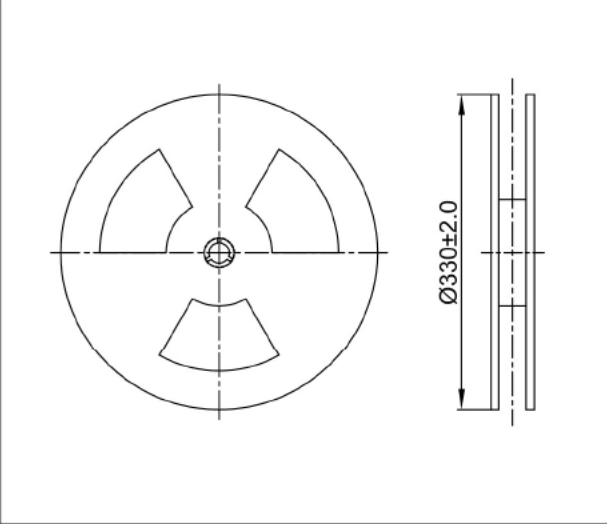
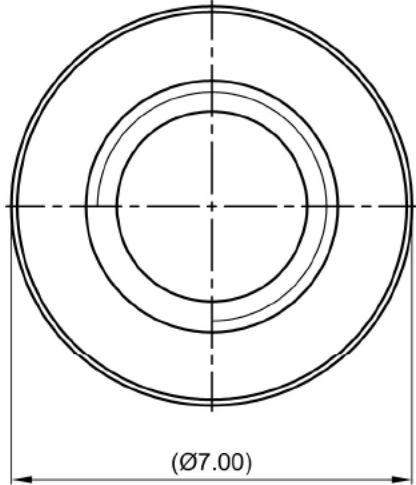
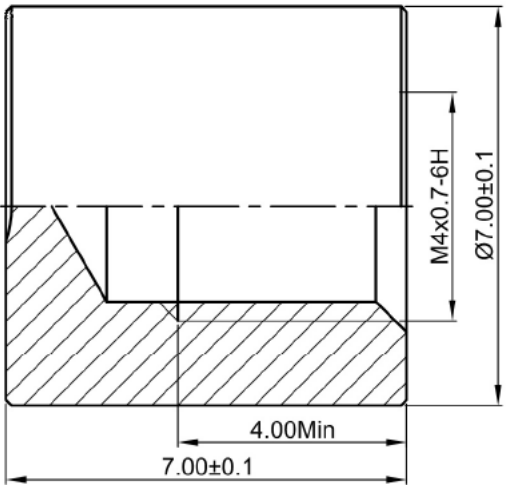
1 2 3 4 5 6 7 8

EC No.	EC Description	DR.
▲	/	/

1.6
▲

A
B
C
D
E
F

A
B
C
D
E
F



NOTES:
 1.Material:Brass C3604;
 2.Surface Treatment: Tin Plated;
 3.Remove all burrs and sharpe angle ,product is clean;
 4.Packaged on 13" recyclable reels, Tape width is 24mm,
 Supplied with polyimide patch for vacuum pick up,Reels conform to IEC 60286-3 Package:500 pcs/Reel;
 5.RoHS Compliant.

①	1	/	/	See Note 1	See Note 3	/
Part Item	QTY.	Name	Description	Material	Surface Treatment	Remark
DR.	LEX 2013.06.16	CHKD.	APPD.	Unit net weight ≈ / g		Rough weight ≈ / g

UNIT: mm	
DIM Tol.:	Angle Tol.:
X.±	X° ±
.X±	.X° ±
.XX±	.XX° ±
.XXX±	.XXX° ±

Patron
 Passive Electronic

TITLE: PE24-M4x7.0-OD7.0DT			
Drawing#: PFPE2402R00	P/N: PFPE2402R00	REV. A	Sheet 1 of 1

1 2 3 4 5 6 7 8