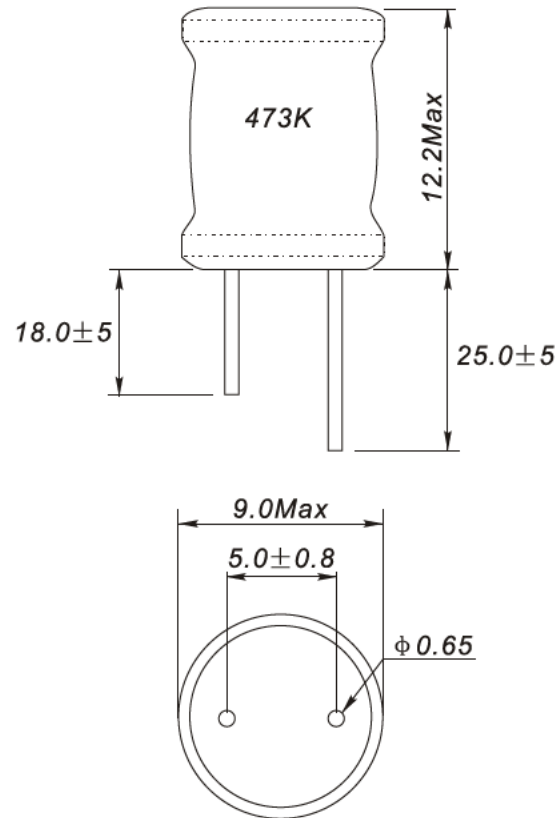
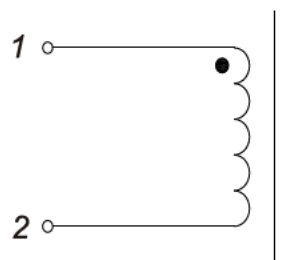


Rev.	Description	Date
A0	New release	2018.10.23

1. PHYSICAL CHARACTERISTICS (mm)



2. ELECTRONICAL SCHEMATIC



3. ELECTRONICAL SPECIFICATIONS

L(1-2): 47mH ± 10% @ 1.0KHz, 0.1V

DCR(1-2): 137.8Ω Max @ 20°C

IDC: 0.08A Max (Inductance drop 10% Max)

Q: 15Ref @ 79KHz

SRF: 120KHz Min

Operating temperature: -55 °C to +125°C

(Include temp. Rise)

Storage temperature: -55 °C to +105°C

Test Instrument: L: HP4284A

RDC: HM2540

Note:

- Solderability: leads shall meet MIL-STD-202, Method 208D for solderability.
- Flammability: UL94V-0
- ASTM oxygen index: >28%

NAME:	Power Inductor		
PART NUMBER:	Patron: RLB9012-473KL	DATE:	2018-10-19
		REV: A0	PAGE
DRAWN BY	Thomas	CHECKED BY	Mark
		APPROVE BY	Mark