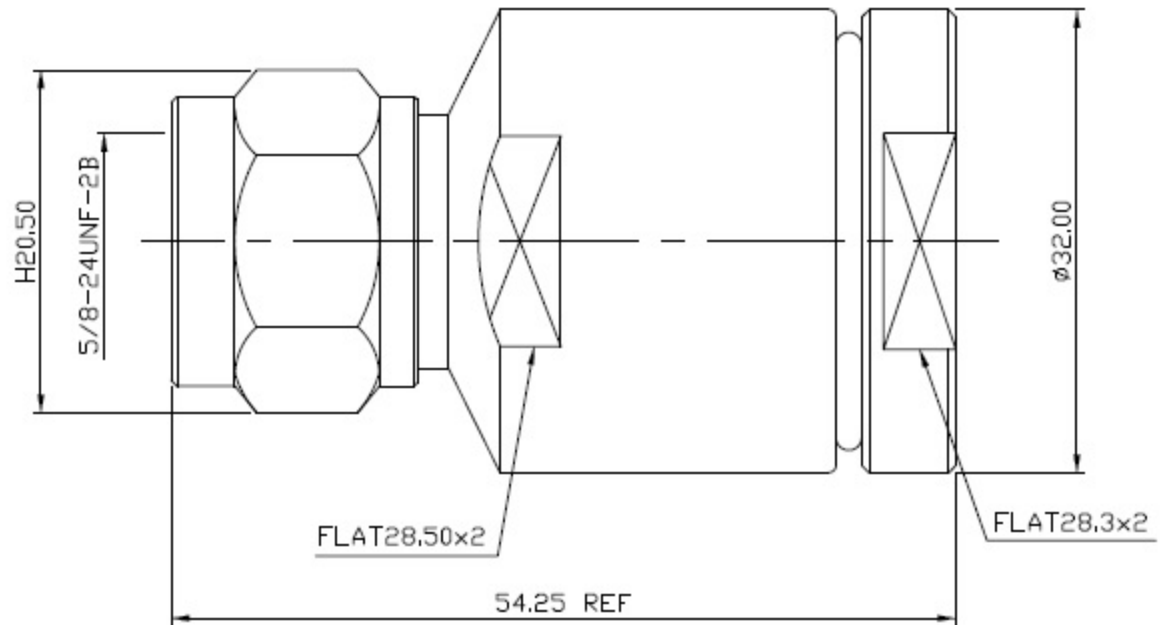


RECOMMENDED  
CABLE STRIPPING  
DIM'S



MATERIAL : BODY-BRASS  
INSULATOR-TEFLON  
SLEEVE-BRASS  
CONTACT-BRASS  
CLAMP SLEEVE-BRASS  
C WASHER-BRASS  
GASKET-SILICONE  
SHELL-BRASS  
NUT-BRASS  
O-RING-RUBBER

FINISH : BODY-NICKEL PLATING  
SLEEVE-NICKEL PLATING  
SHELL-NICKEL PLATING  
NUT-NICKEL PLATING  
CLAMP SLEEVE-NICKEL PLATING  
CONTACT-GOLD PLATING OVER NICKEL

DIMENSIONS ARE IN MILLIMETERS		TOLERANCE		<b>SCHMID-M</b>	
· × ±0.5	ANGLE ±3°	SCALE 2:1	TITLE N Straight Plug Clamp for LMR900		
· × × ±0.1		REV A-1	DRAWING NO N-2124-TGN		
· × × × ±0.05		DATE 99.07.17	FILE NO		
DRAWN		DATE			
APPROVAL		DATE			