

# C SERIES

(OUTDOOR KEYED & HALF-SHELL KEYED)



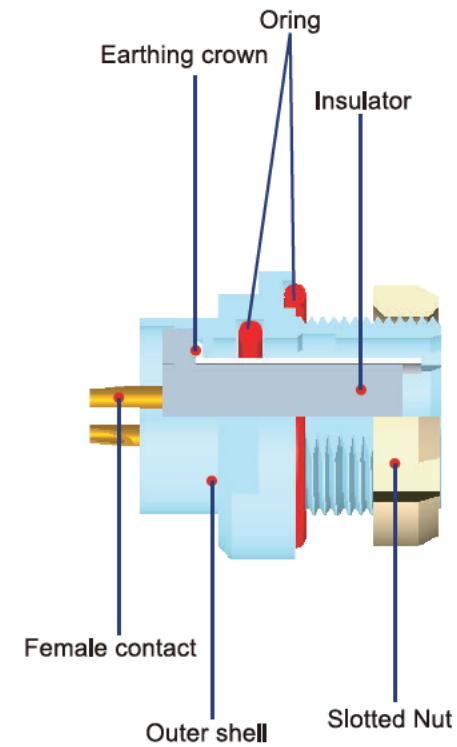
## MAIN FEATURES:

1. Security of the push-pull self-latching system
2. Multipole types 2 to 16 contacts
3. IP rate: IP68
4. Double half-shell keyed to avoid cross mating
5. Vacuum-tight socket suitable for vacuum equipment
6. 360° screening for full EMC shielding

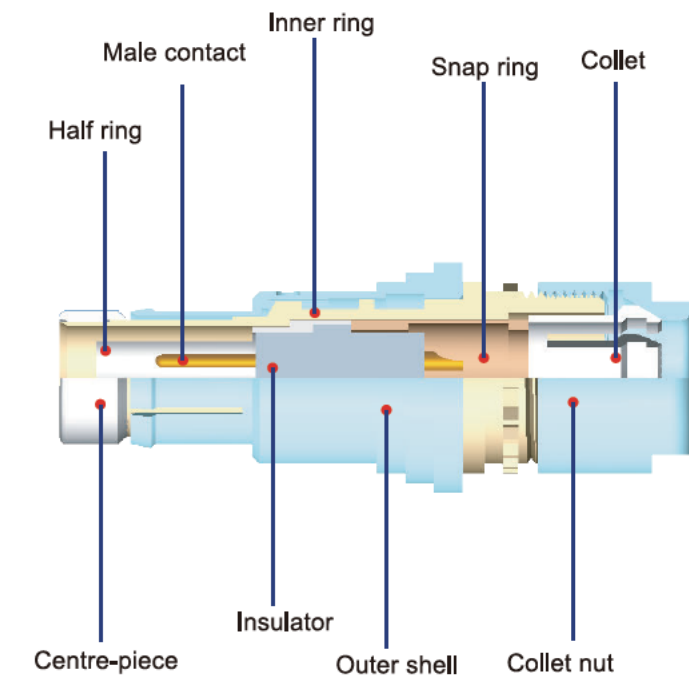
## PART SECTION SHOWING INTERNAL COMPONENTS

### C series

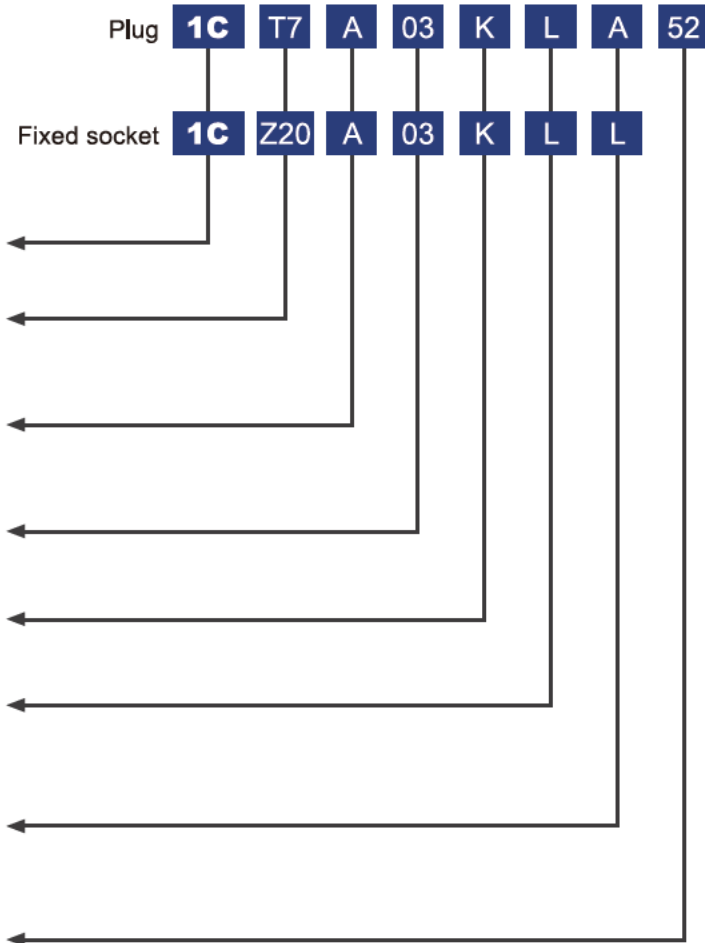
#### Fixed socket



#### Straight plug



## Part Numbering System



1. Series: (Page 96)
2. Housing model: (Page 96)
3. Alignment key  
0C=B/C/E/F  
1C=A
4. Insert configuration: (Page 98)
5. Housing material  
C=Chrome plated brass K=Black chrome plated brass
6. Insulator material  
L=PPS, T=PTFE
7. Contact type  
A=Solder male L=Solder female  
N=Print female V=Print female 90°  
W=Print male 90° D=Print male
8. Cable OD: (Page 105)

## PART NUMBER EXAMPLE:

### Straight plug with cable collet:

1CT7A04KLA52=1C Series straight plug with key(A) and cable collet, multipole type with 4 contacts, outer shell in black chrome plated brass, PPS insulator, solder male contacts, collet for 5.0mm diameter cable.

### Fixed socket:

1CZ20A04KLL=1C series fixed socket, nut fixing, multipole type with 4 contacts, outer shell in black chrome plated brass, solder female contacts

## ALIGNMENT KEY:

Key of plug	Diagram				
Key code	B	C	E	F	A

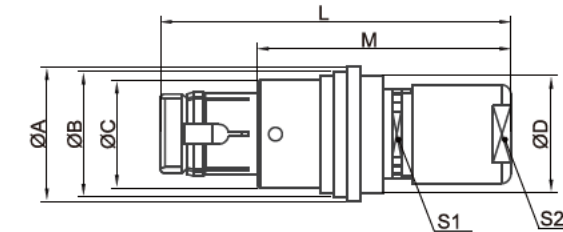
## TECHNICAL CHARACTERISTICS

Characteristics	Parameter
Locking Type	push pull self-latching type
Working Temperature	-55°C~ +250°C
Maximum Humidity	up to 95% at 60°/140°F
Shielding Efficiency	75dB(10MHz) 40dB(1GHz)
Resistance to Vibration	15g[10Hz~2000Hz]

Characteristics	Parameter
Salt spray corrosion test	96hr
Shock resistance	100g,6ms
Endurance	5000 cycles
Protection index(mated)	IP68

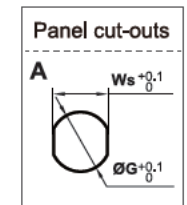
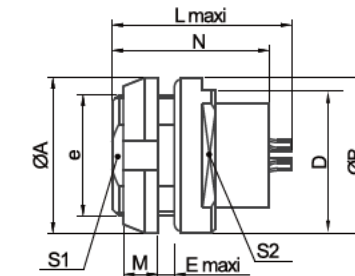
## Housing Models

### T7 PLUG STRAIGHT PLUG, WITH CABLE COLLET AND NUT FOR FITTING A BEND RELIEF



Reference		Dimensions(mm)							
Series	Model	L	M	A	B	C	D	S1	S2
0C	T7	32.4	22.4	12	11	10	9	9	8
1C	T7	40	29	15	14	12	13	10	9

### Z20 SOCKET FIXED SOCKET, FRONT PANEL MOUNT, NUT FIXING



Reference		Dimensions(mm)										Panel cut-outs		
Series	Model	L	M	B	A	N	S1	S2	E	D	e	Ws	Ø	Type
0C	Z20	17.3	3	13	12	13.3	8.2	11	1.5	12	M9*0.5	8.3	9.1	A
1C	Z20	22.2	4	18	18	18.2	12	15	2.0	/	M14*1.0	12.1	14.1	A

**INSERT CONFIGURATION (Multipole)**

Series	Code	Solder contacts		Contact ø(mm)	Resistance (mΩ)	Rated current (A)	Test voltage (V)	Working voltage (V)
		Male	Female					
0C	02			0.9	6	10	1000	500
	03			0.9	6	8	875	400
	04			0.7	7.5	7	875	300
	05			0.7	7.5	6.5	750	300
	06			0.5	10	2.5	750	300
	07			0.5	10	2.5	750	300
	09			0.5	10	2	600	200
	13			0.4	10	2	600	200

C SERIES

**INSERT CONFIGURATION (Multipole)**

Series	Code	Solder contacts		Contact ø(mm)	Resistance (mΩ)	Rated current (A)	Test voltage (V)	Working voltage (V)
		Male	Female					
1C	02			1.3	5	15	1500	500
	03			1.3	5	12	1300	430
	04			0.9	6	10	1300	430
	05			0.9	6	9	1250	415
	06			0.7	7.5	7	1050	350
	07			0.7	7.5	7	950	315
	08			0.7	7.5	5	950	315
	10			0.5	10	2.5	900	300
	12			0.5	10	2	800	260
	14			0.5	10	2	800	260
	16			0.5	10	1.5	800	260

CALCULATION METHOD: WORKING VOLTAGE= TEST VOLTAGE/3

C SERIES