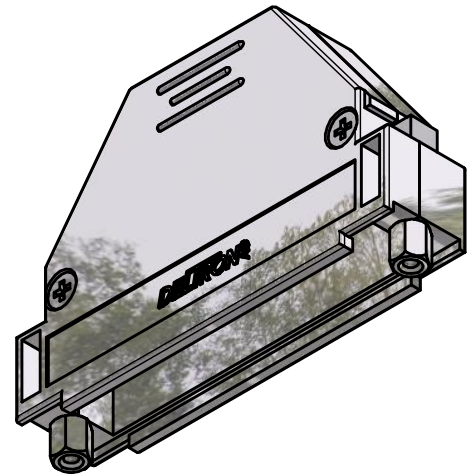
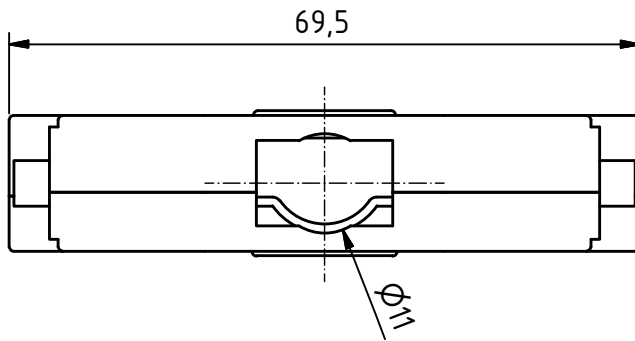
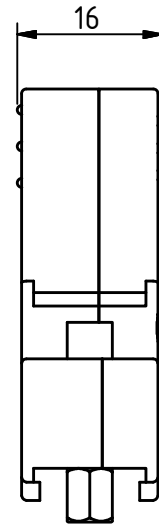
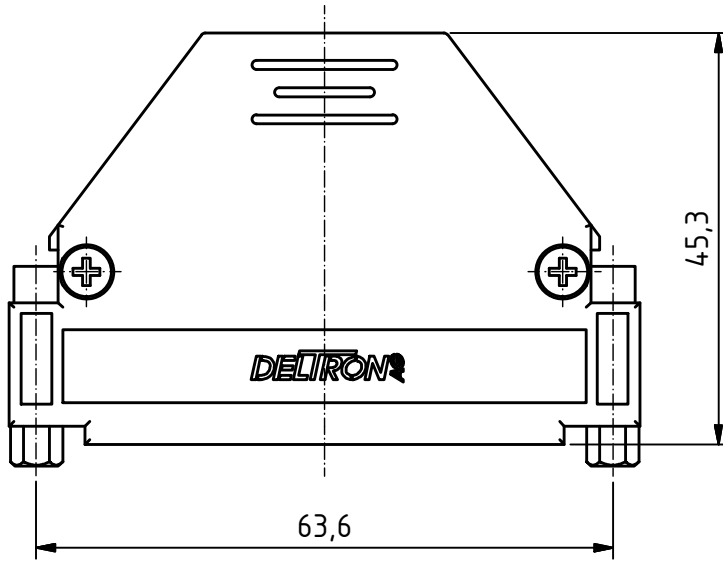


RoHS compliant



MATERIALS



- Hood: thermoplastic metallized

CHARACTERISTICS

- Temperature range: -40°C to +85°C
- Housing screw: with pressed in grommet
- Straight cable outlet
- Preassembled metal strain relief
- Two mobile assembled screws
- Attenuation: min. 40 db at 100Mhz

-Set packed in bag

General tolerances (Deltron standard)	size in mm			tolerances
	> 0.5 up to 3	> 3 up to 6	> 6 up to 30	
	±0.1	±0.2	±0.2	±0.3

	Rev.	Rev.	Rev.	DE007433 part no.		
	Rev.	Rev.	Rev.			
CTLM37RUN4	1.2:1 scale	drawn	05.03.2019	rop		
		checked				
		approved				
		Industrie Neuhof 8c CH-3422 Kirchberg www.d-sub.swiss		K063426 drawing no.		