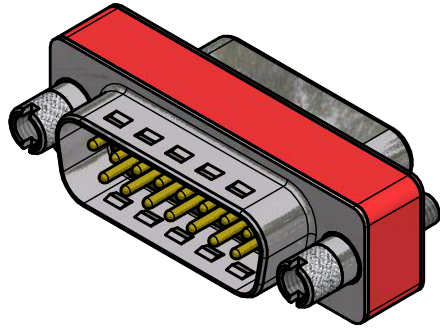
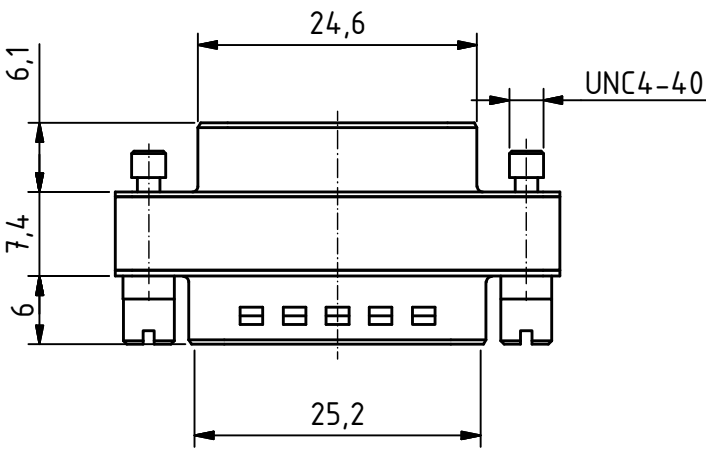
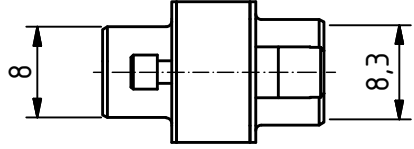
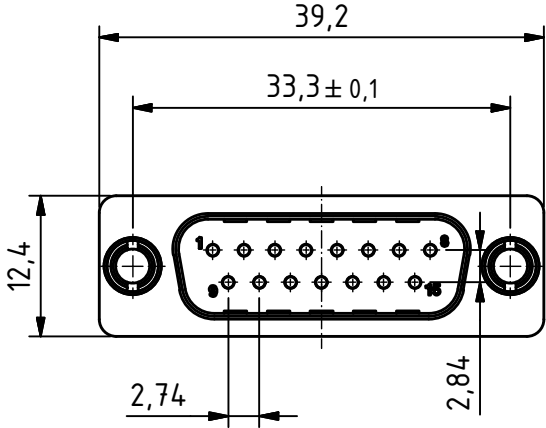


RoHS compliant



Capacitor value 1'000 pF

MATERIALS

- Insulator: Thermoplastic UL 94-V-0 black
- Frame: Thermoplastic UL 94-V-0 red
- Contact: Machined / Copper alloy
- Contact finish: Quality class 2
- Shell: steel tin plated

CHARAKTERISTICS

- Working voltage: 100V
- Current rating: 7.5A
- Contact resistance: max. 10mΩ - DIN41652
- Insulation resistance: >1GΩ
- Temperature range: -55° to +125°C

General tolerances (Deltron standard)			
size in mm	> 0.5 up to 3	> 3 up to 6	> 6 up to 30
tolerances	±0.1	±0.2	±0.3

	All dimensions in mm	Rev.	Rev.	Rev.	DE005677		
		Rev.	Rev.	Rev.	part no.		
DFA15P/15S/2FP102UN				1.5:1 scale	drawn	23.11.2016	mw
					checked		
					approved		
				Industrie Neuhof 8c CH-3422 Kirchberg www.d-sub.swiss		K062614	
						drawing no.	