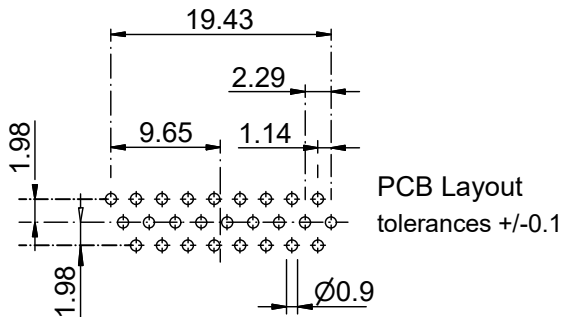
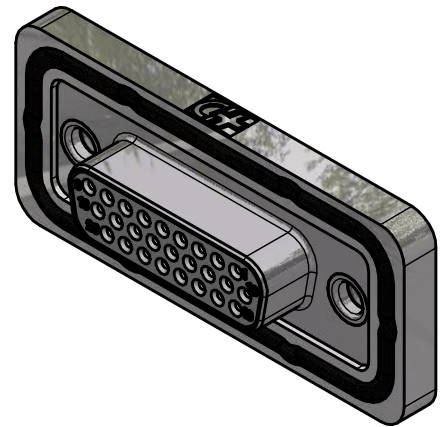
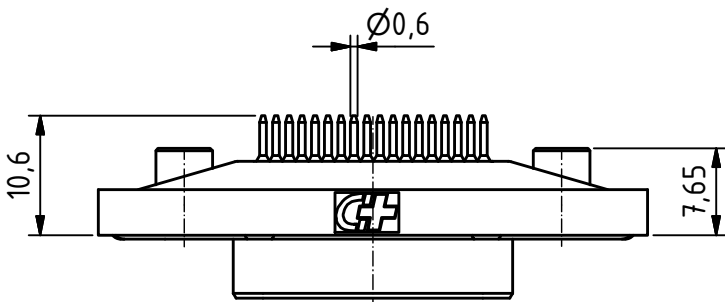
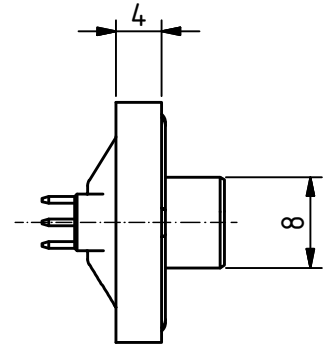
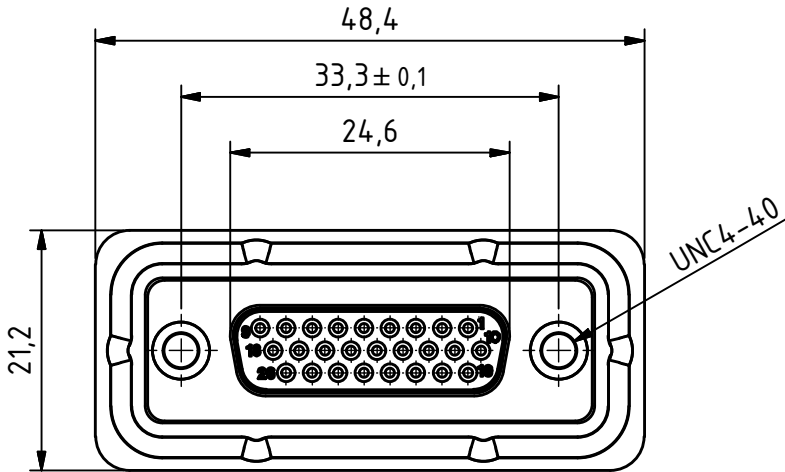


RoHS compliant



Waterproof IP68  
Frame with O-ring sealing for back panel mounting

**MATERIALS**

- Insulator: Thermoplastic UL 94-V-0 white
- Frame: Zinc diecasting nickel plated
- Contact: Machined / Copper alloy
- Contact finish: Quality class 2
- Shell: steel tin plated

**CHARAKTERISTICS**

- Working voltage: 60V
- Current rating: 5A
- Contact resistance: max. 10mΩ - DIN41652
- Insulation resistance: >5GΩ
- Temperature range: -55° to +125°C

Product is suitable for Wave Solder Process

| General tolerances (Deltron standard) |            |
|---------------------------------------|------------|
| size in mm                            | tolerances |
| > 0.5                                 | ±0.1       |
| up to 3                               | ±0.2       |
| > 3                                   | ±0.2       |
| up to 6                               | ±0.2       |
| > 6                                   | ±0.2       |
| up to 30                              | ±0.2       |
| > 30                                  | ±0.3       |
| up to 120                             | ±0.3       |

|                   |                      |      |      |   |          |             |    |
|-------------------|----------------------|------|------|---|----------|-------------|----|
|                   | All dimensions in mm | Rev. | Rev. | Rev.  | DE017192 |             |    |
|                   |                      | Rev. | Rev. | Rev.  | part no. |             |    |
| HD-DWM26SY/2M85UN |                      |      |      | 1.5:1<br>scale  | drawn    | 24.02.2016  | mw |
|                   |                      |      |      |   | checked  |             |    |
|                   |                      |      |      |   | approved |             |    |
|                   |                      |      |      | Industrie Neuhof 8c<br>CH-3422 Kirchberg<br>www.d-sub.swiss |          | K062442     |    |
|                   |                      |      |      |   |          | drawing no. |    |