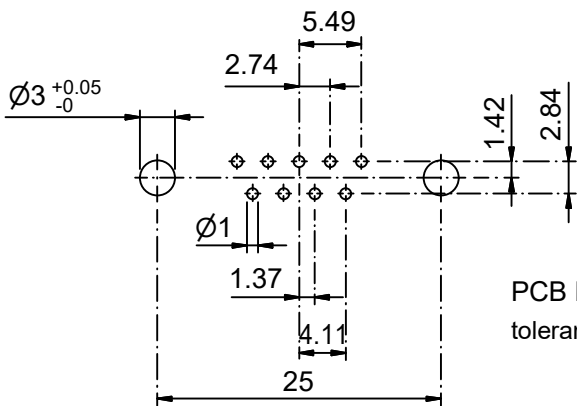
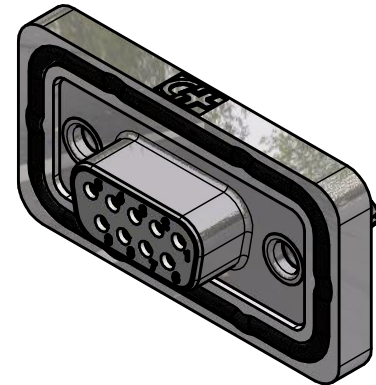
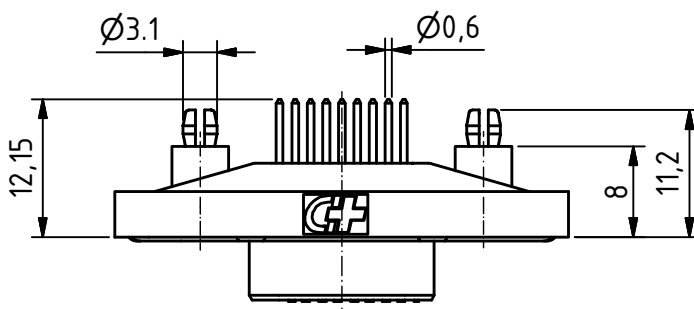
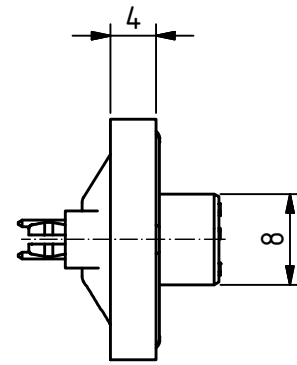
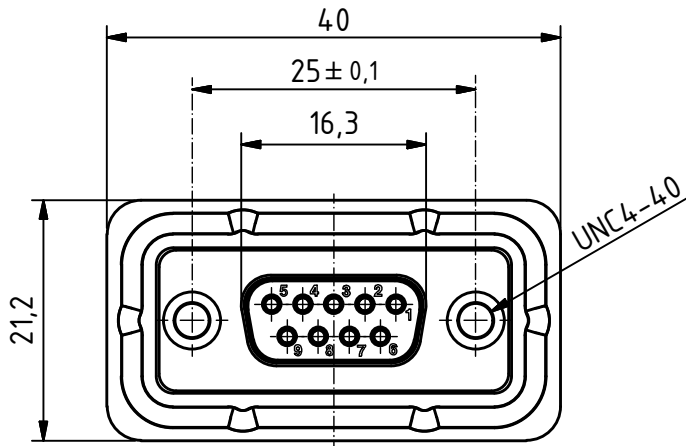


RoHS compliant



PCB Layout  
tolerances +/-0.1

Waterproof IP68  
Frame with O-ring sealing for back panel mounting

**MATERIALS**

- Insulator: Thermoplastic UL 94-V-0 white
- Frame: Zinc diecasting nickel plated
- Contact: Machined / Copper alloy
- Contact finish: Quality class 2
- Shell: steel tin plated

**CHARAKTERISTICS**

- Working voltage: 125V
- Current rating: 7.5A
- Contact resistance: max. 10mΩ - DIN41652
- Insulation resistance: >5GΩ
- Temperature range: -55° to +125°C

Product is  
suitable for  
Wave Solder  
Process

General tolerances (Deltron standard)		
size in mm		
> 0.5	> 3	> 30
up to 3	up to 6	up to 120
tolerances		
±0.1	±0.2	±0.3

	All dimensions in mm	Rev.	Rev.	Rev.	DE01714.8		
		Rev.	Rev.	Rev.	part no.		
DTSWM09SY/2M86UN				1.5:1 scale	drawn	11.02.2016	mw
					checked		
					approved		
				Industrie Neuhof 8c CH-3422 Kirchberg www.d-sub.swiss		K062409	
						drawing no.	