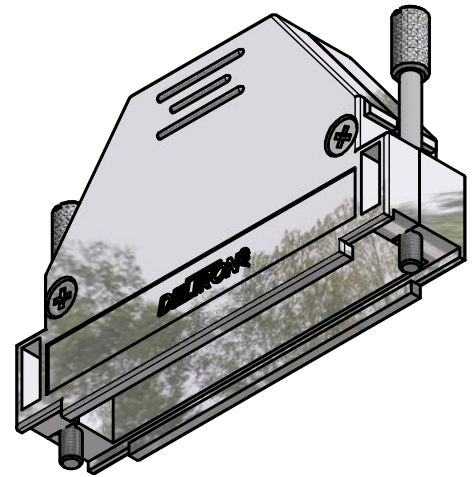
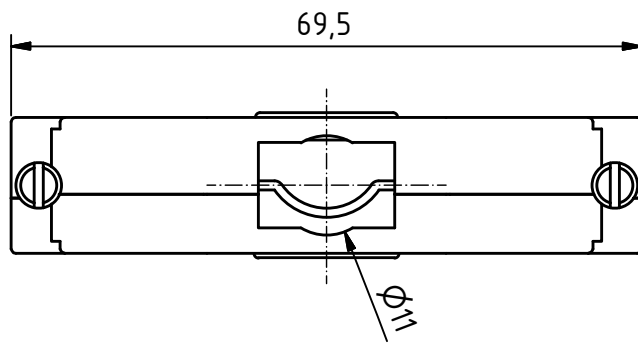
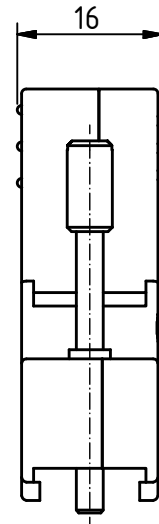
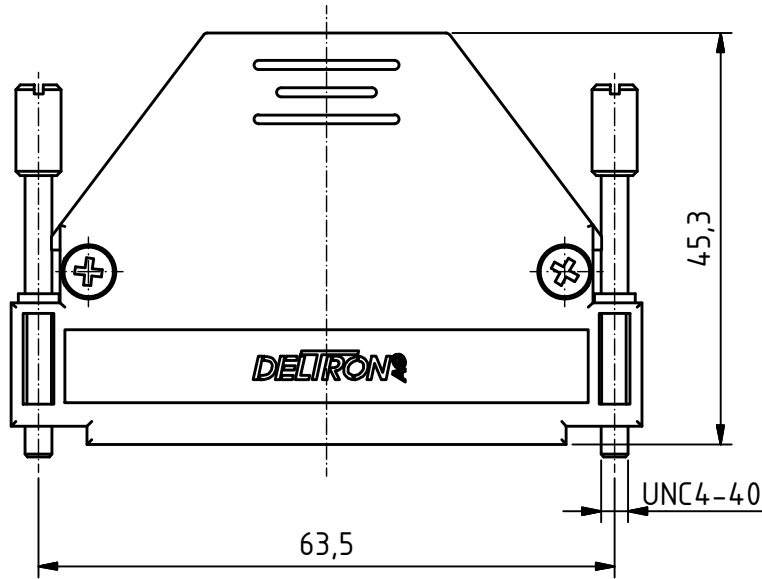


RoHS compliant



MATERIALS

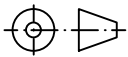

- Hood: thermoplastic metallized

CHARACTERISTICS

- Temperature range: -40°C to +85°C
- Housing screw: with pressed in grommet
- Straight cable outlet
- Preassembled metal strain relief
- Two mobile assembled screws
- Attenuation: min. 40 db at 100Mhz

-Set packed in bag

General tolerances (Deltron standard)			
size in mm	Tolerances		
	> 0.5 up to 3	> 3 up to 6	> 6 up to 30
±0.1	±0.2	±0.2	±0.3

	All dimensions in mm	Rev.	Rev.	Rev.	DE001683 part no.		
		Rev.	Rev.	Rev.			
CTLM37UN4				1.2:1 scale	drawn	21.01.2016	mw
					checked		
				Industrie Neuhof 8c CH-3422 Kirchberg www.d-sub.swiss	K062392 drawing no.		

File date: 21.08.2019 10:05:00