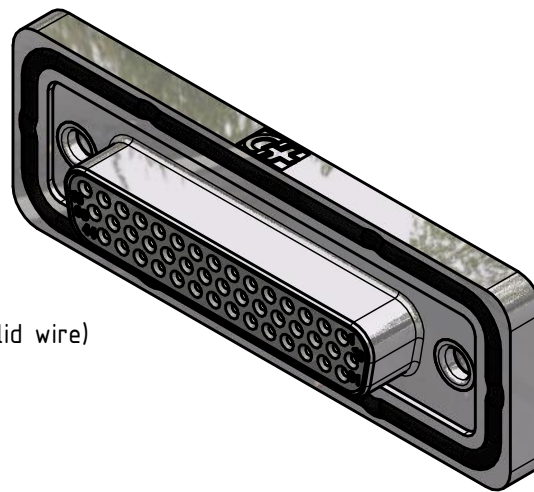
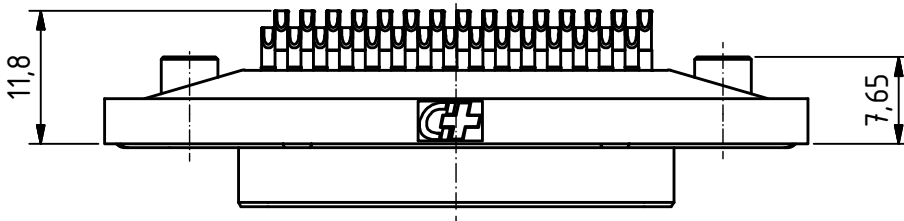
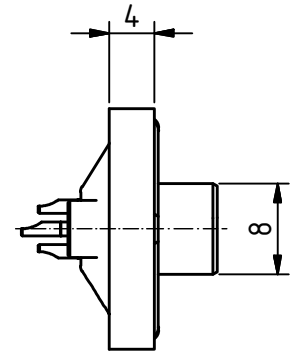
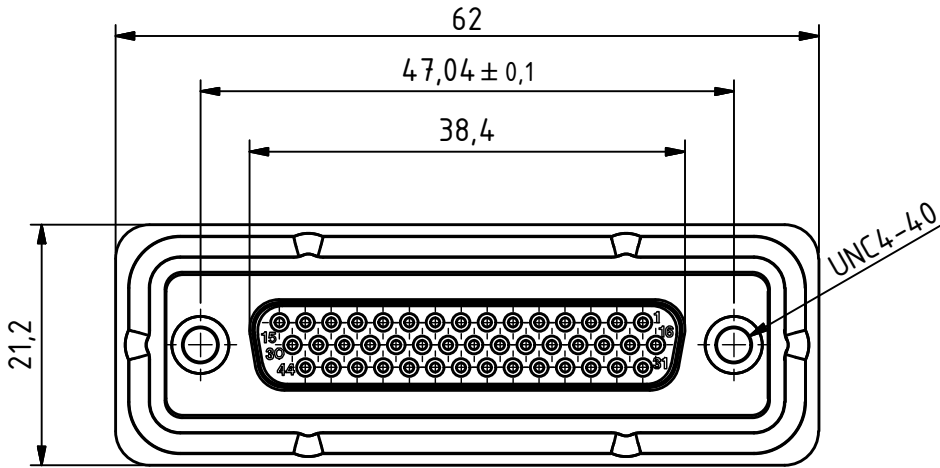


RoHS compliant



suitable for cable AWG 20 (single solid wire)

Waterproof IP68
Frame with O-ring sealing for back panel mounting

MATERIALS

- Insulator: Thermoplastic UL 94-V-0 white
- Frame: Zinc diecasting nickel plated
- Contact: Machined / Copper alloy
- Contact finish: Quality class 2
- Shell: steel tin plated

CHARAKTERISTICS

- Working voltage: 60V
- Current rating: 5A
- Contact resistance: max. 10mΩ - DIN41652
- Insulation resistance: >5GΩ
- Temperature range: -55° to +125°C

| General tolerances (Deltron standard) | | | |
|---------------------------------------|---------|----------|-----------|
| size in mm | | | |
| > 0.5 | > 3 | > 6 | > 30 |
| up to 3 | up to 6 | up to 30 | up to 120 |
| tolerances | | | |
| ±0.1 | ±0.2 | ±0.2 | ±0.3 |

| | | | | | |
|--------------------------|----------------------|--|------|-------------------------------|--|
| | All dimensions in mm | Rev. | Rev. | Rev. | DE017084 part no. |
| | | Rev. | Rev. | Rev. | |
| HD-DWM44SZ/2M85UN | | | | 1.5:1 scale | drawn 19.11.2015 mw checked approved |
| | | Industrie Neuhof 8c CH-3422 Kirchberg www.d-sub.swiss | | K062358 drawing no. | |