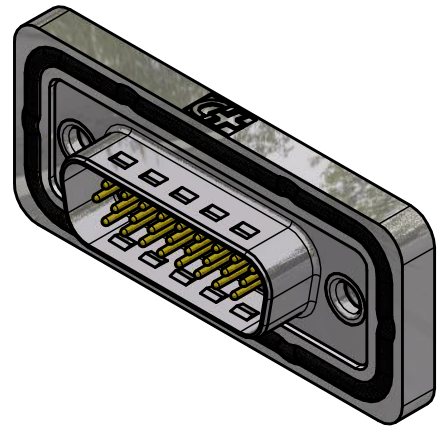
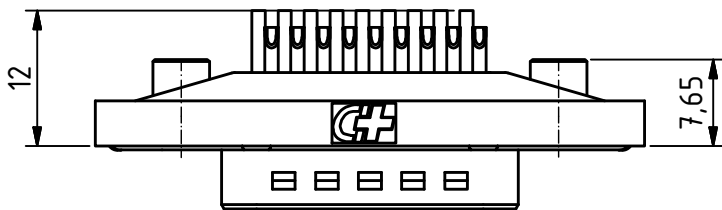
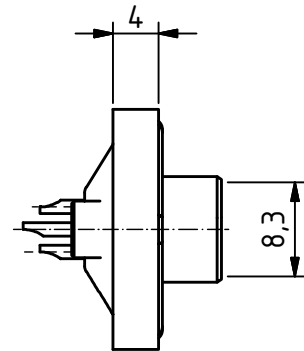
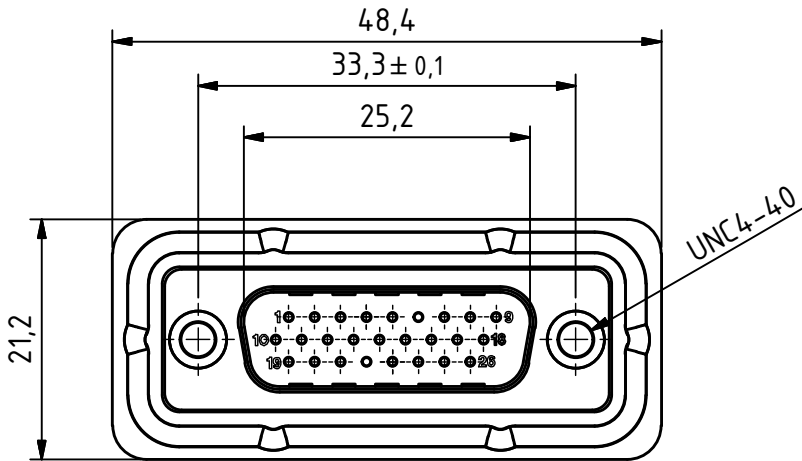


RoHS compliant



suitable for cable AWG 20 (single solid wire)

Waterproof IP68  
Frame with O-ring sealing for back panel mounting

**MATERIALS**

- Insulator: Thermoplastic UL 94-V-0 white
- Frame: Zinc diecasting nickel plated
- Contact: Machined / Copper alloy
- Contact finish: Quality class 2
- Shell: steel tin plated

**CHARAKTERISTICS**

- Working voltage: 60V
- Current rating: 5A
- Contact resistance: max. 10mΩ - DIN41652
- Insulation resistance: >5GΩ
- Temperature range: -55° to +125°C

General tolerances (Deltron standard)			
size in mm	tolerances		
	> 0.5 up to 3	> 3 up to 6	> 6 up to 30
±0.1	±0.2	±0.2	±0.3

	All dimensions in mm	Rev.	Rev.	Rev.	DE017079 part no.
		Rev.	Rev.	Rev.	
HD-DWM26PZ/2M85UN				1.5:1 scale	drawn 19.11.2015 mw
					checked
					approved
 CONNECT 2 CUSTOMIZE				Industrie Neuhof 8c CH-3422 Kirchberg www.d-sub.swiss	
				K062353 drawing no.	