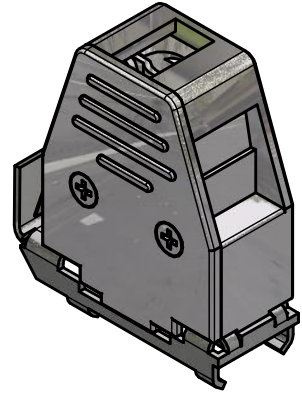
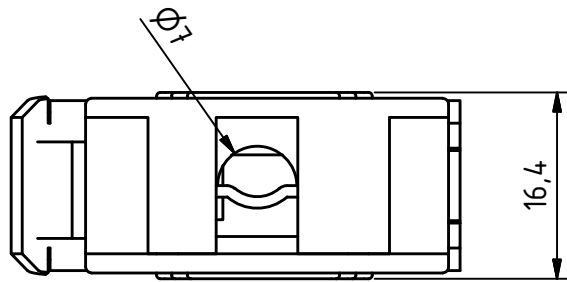
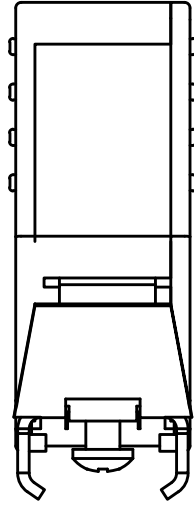
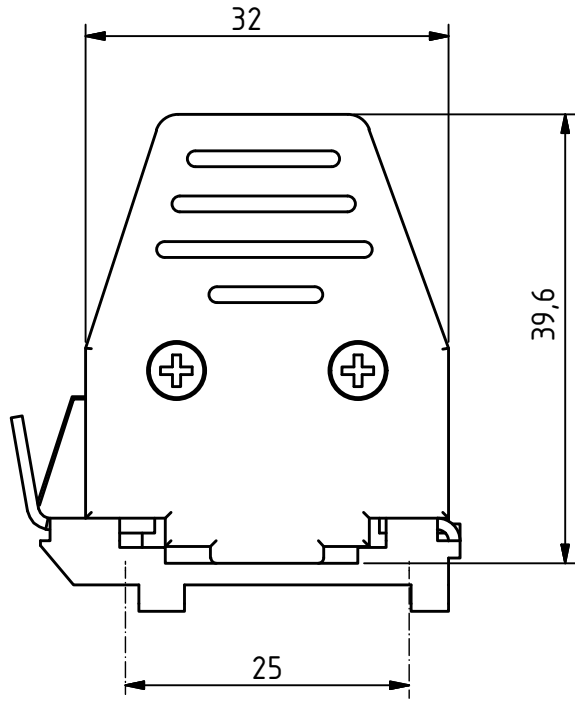


RoHS compliant

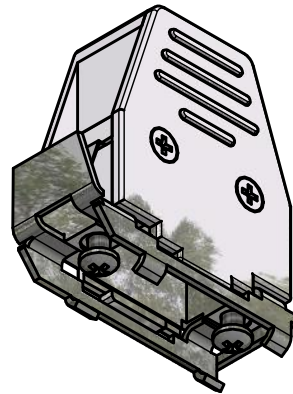


MATERIALS

- Hood: thermoplastic - Metallized
- Slide-lock: steel nickel plated

CHARACTERISTICS

- Temperature range: -40°C to +85°C
- Housing screw: self cutting
- Straight and side cable outlet
- With metal strain relief
- With slide lock
- Attenuation: min. 40 db at 100Mhz
- Set packed in bag



General tolerances (Deltron standard)			
size in mm		tolerances	
> 0.5	> 3	> 6	> 30
up to 3	up to 6	up to 30	up to 120
±0.1	±0.2	±0.2	±0.3

	All dimensions in mm	Rev.	Rev.	Rev.	DE002465 part no.
		Rev.	Rev.	Rev.	
DCEM09				scale	drawn 28.02.2014 mr
					checked
					approved
			Industrie Neuhof 8c CH-3422 Kirchberg www.d-sub.swiss		K061629 drawing no.