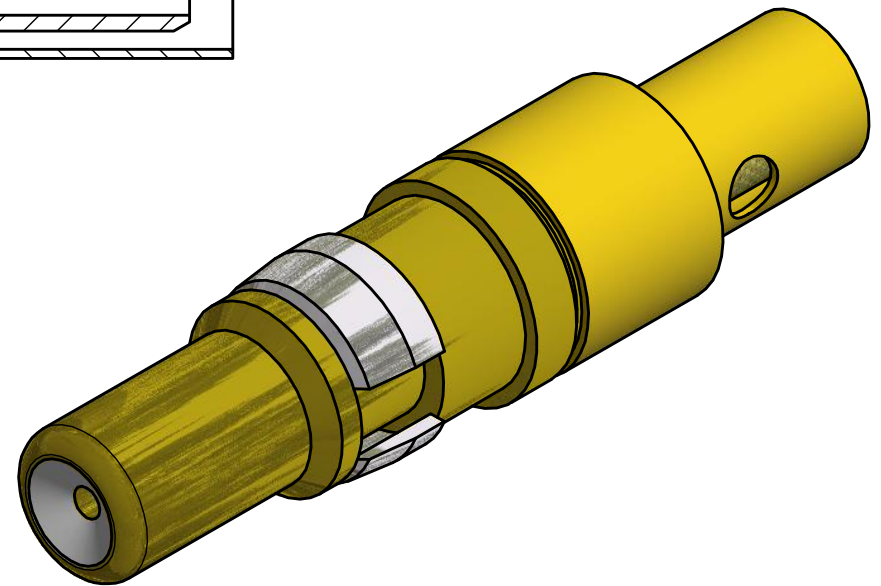
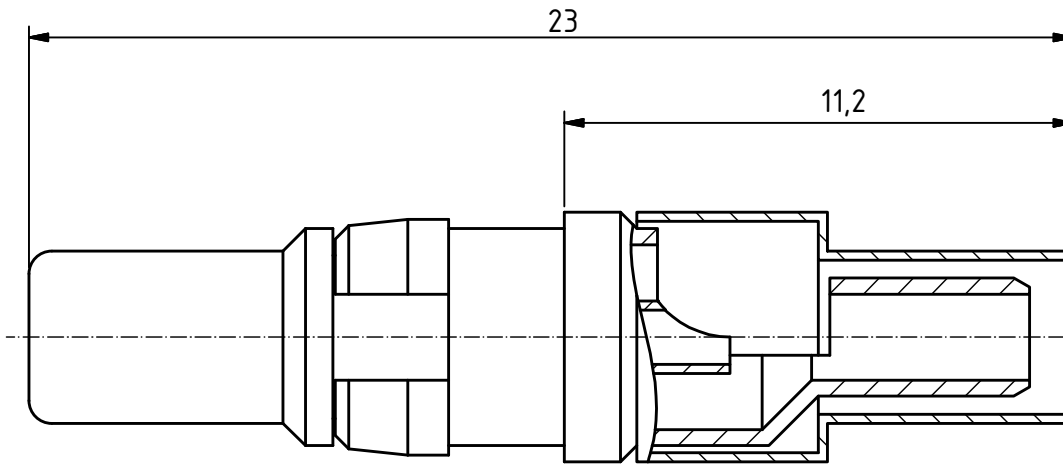


RoHS compliant



MATERIALS

- Contact: Copper alloy
- Contact finish: Quality class 2

CHARACTERISTICS

- 50 Ohm
- Cable: 174-U + 188-A/U + 316-U

	All dimensions in mm	Rev.	Rev.	Rev.	DE001075 part no.		
		Rev.	Rev.	Rev.			
Coax-PZ-2-50/2				6:1 scale	drawn	26.02.2013	mr
					checked		
					approved		
 CONNECT 2 CUSTOMIZE		Industrie Neuhof 8c CH-3422 Kirchberg <a href="http://www.d-sub.swiss">www.d-sub.swiss</a>			K061275 drawing no.		