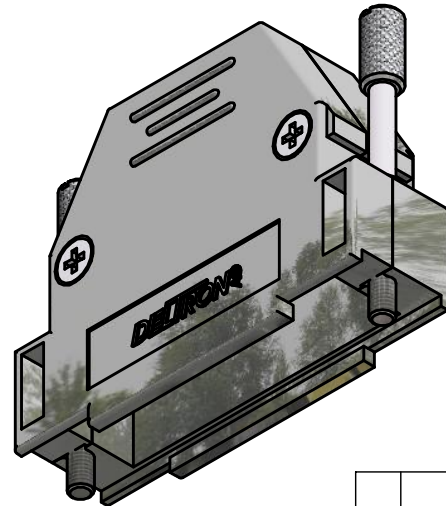
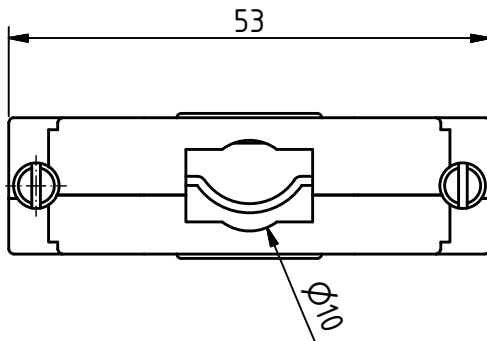
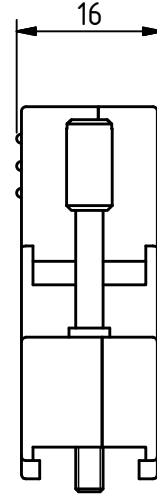
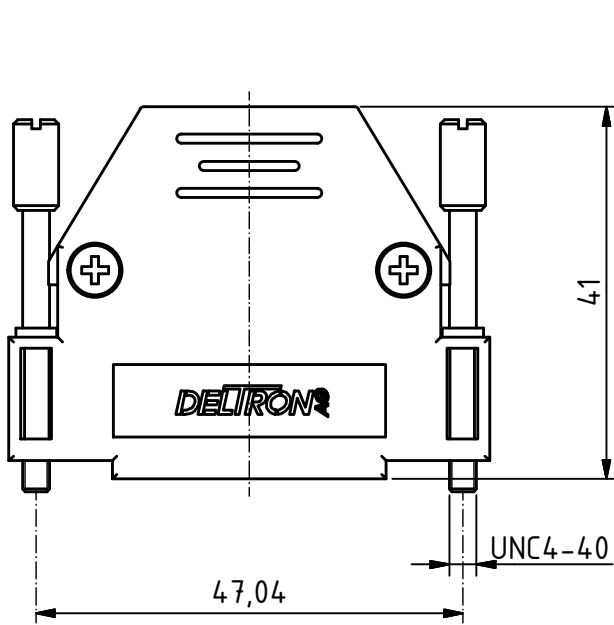


RoHS compliant



**MATERIALS**

- Hood: thermoplastic metallized

**CHARACTERISTICS**

- Temperature range: -40°C to +85°C
- Housing screw: with pressed in grommet
- Straight cable outlet
- Preassembled metal strain relief
- Two mobile assembled screws
- Attenuation: min. 40 db at 100Mhz

-Set packed in bag

General tolerances (Deltron standard)			
size in mm			
> 0.5	> 3	> 6	> 30
up to 3	up to 6	up to 30	up to 120
Tolerances			
±0.1	±0.2	±0.2	±0.3

	All dimensions in mm	Rev.	Rev.	Rev.	DE001676		
		Rev.	Rev.	Rev.	part no.		
CTLM25UN4				1.2:1 scale	drawn	15.02.2013	mr
					checked		
					approved		
				Industrie Neuhof 8c CH-3422 Kirchberg <a href="http://www.d-sub.swiss">www.d-sub.swiss</a>		K061208	
						drawing no.	