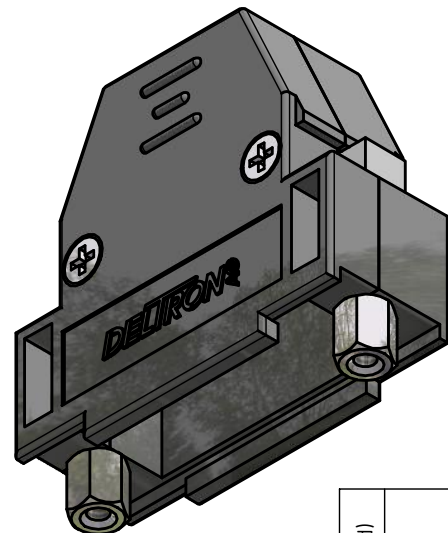
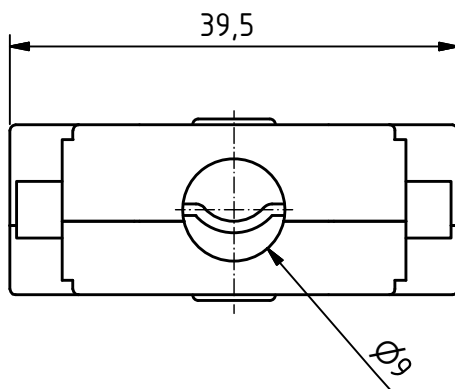
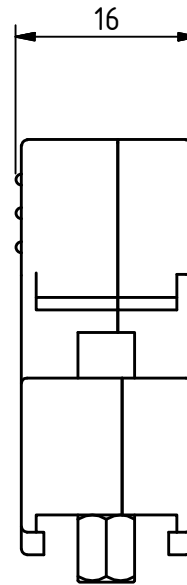
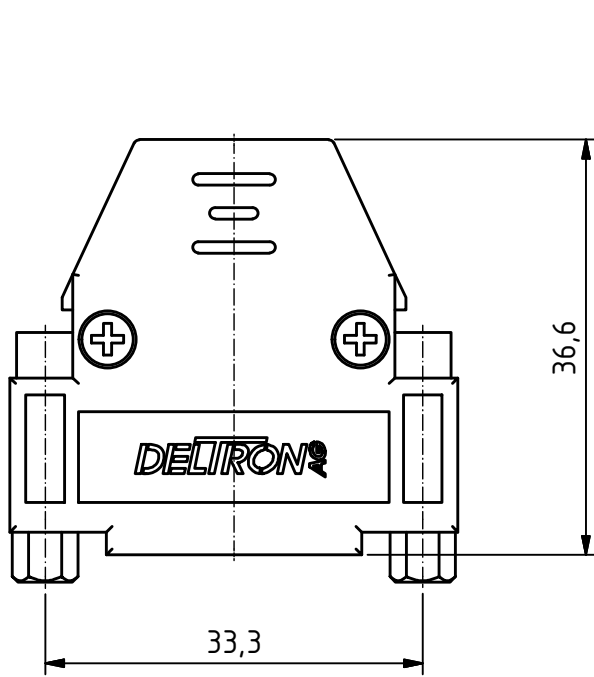


RoHS compliant



MATERIALS

- Hood: thermoplastic black

CHARACTERISTICS

- Temperature range: -40°C to +85°C
- Housing screw: with pressed in grommet
- Straight cable outlet
- Preassembled metal strain relief
- Prolongation UNC4-40

-Set packed in bag

General tolerances (Deltron standard)			
size in mm		tolerances	
> 0.5	> 3	> 6	> 30
up to 3	up to 6	up to 30	up to 120
±0.1	±0.2	±0.2	±0.3

	All dimensions in mm	Rev.	Rev.	Rev.	DE007423 part no.		
		Rev.	Rev.	Rev.			
CTL15RUN4				1.5:1 scale	drawn	09.02.2018	mw
					checked		
CONNECT 2 CUSTOMIZE				Industrie Neuhof 8c CH-3422 Kirchberg www.d-sub.swiss	K061021 drawing no.		