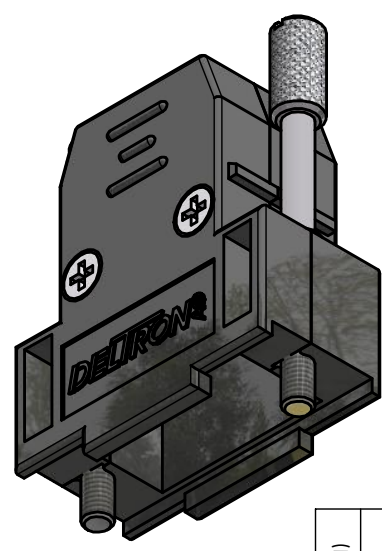
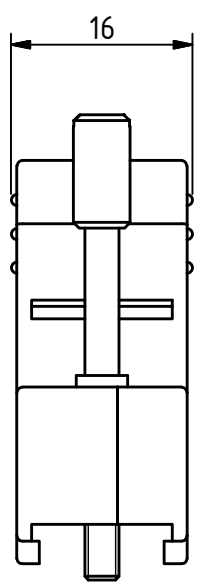
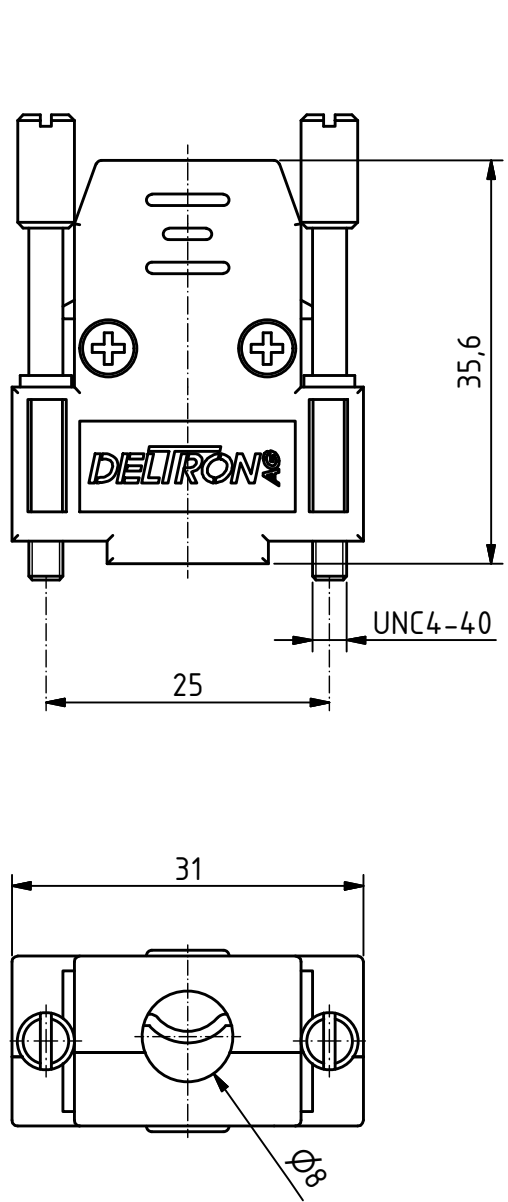


RoHS compliant



MATERIALS

- Hood: thermoplastic black

CHARACTERISTICS

- Temperature range: -40°C to +85°C
- Housing screw: with pressed in grommet
- Straight cable outlet
- Preassembled metal strain relief
- Two mobile assembled screws

-Set packed in bag

General tolerances (Deltron standard)			
size in mm		tolerances	
> 0.5	> 3	> 6	> 30
up to 3	up to 6	up to 30	up to 120
±0.1	±0.2	±0.2	±0.3

	Rev.	Rev.	Rev.	DE001428 part no.		
	Rev.	Rev.	Rev.			
CTL09UN4	1.5:1 scale	drawn	16.12.2011	mr		
		checked				
		approved				
		Industrie Neuhof 8c CH-3422 Kirchberg www.d-sub.swiss		K060802 drawing no.		