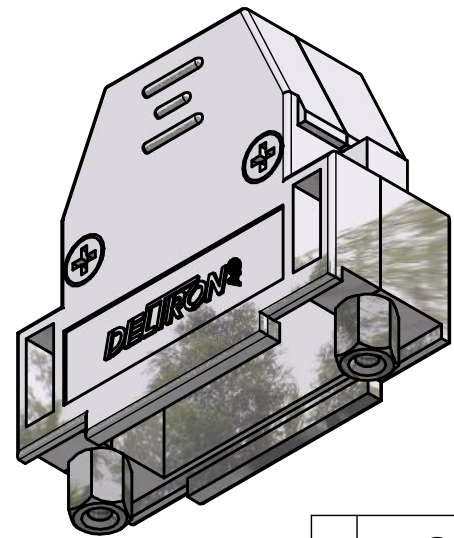
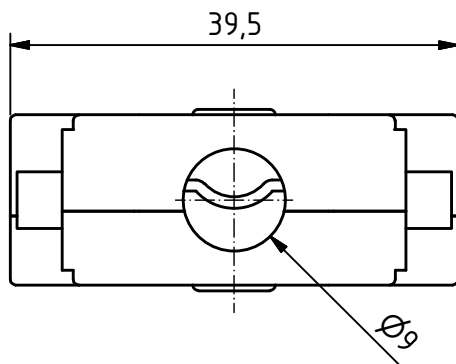
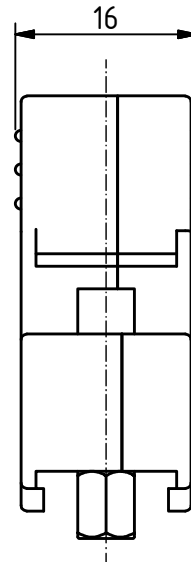
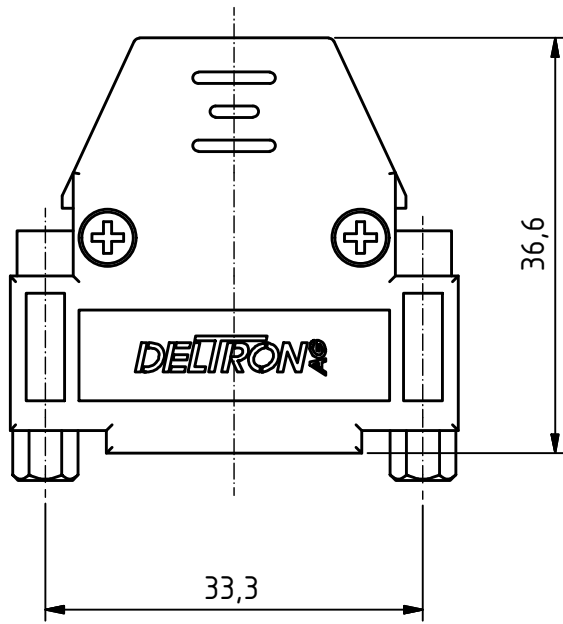


RoHS compliant



**MATERIALS**

- Hood: thermoplastic metallized

**CHARACTERISTICS**

- Temperature range: -40°C to +85°C
- Housing screw: with pressed in grommet
- Straight cable outlet
- Preassembled metal strain relief
- Prolongation UNC4-40
- Attenuation: min. 40 db at 100Mhz

-Set packed in bag

General tolerances (Deltron standard)			
size in mm	> 0.5 up to 3	> 3 up to 6	> 6 up to 120
tolerances	±0.1	±0.2	±0.3

	All dimensions in mm	Rev.	Rev.	Rev.	DE007431 part no.
		Rev.	Rev.	Rev.	
CTLM15RUN4				1:1 scale	drawn 11.04.2011 nf
K060713 drawing no.					checked approved
CONNECT 2 CUSTOMIZE		Industrie Neuhof 8c CH-3422 Kirchberg <a href="http://www.d-sub.swiss">www.d-sub.swiss</a>		K060713 drawing no.	