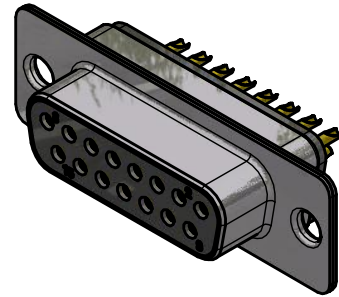
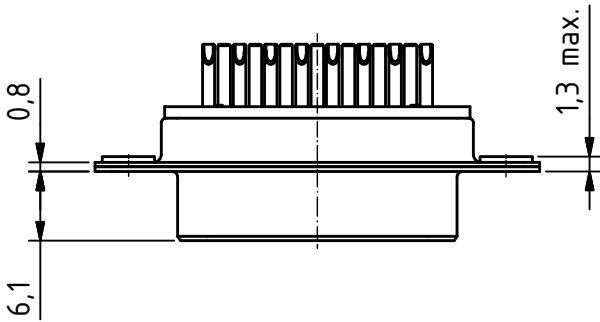
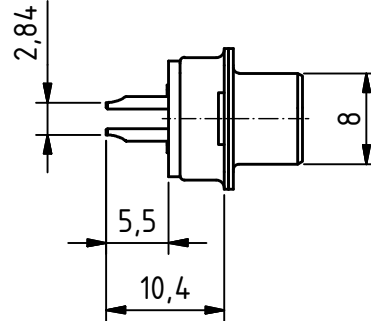
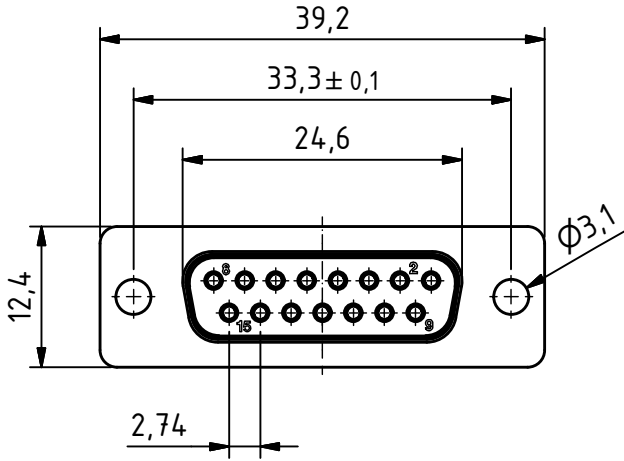


RoHS compliant



suitable for cable AWG 22 (single solid wire)

Capacitor value 1'000 pF

**MATERIALS**

- Insulator: Thermoplastic UL 94-V-0 black
- Contact: Machined / Copper alloy
- Contact finish: Quality class 2
- Shell: steel tin plated

**CHARAKTERISTICS**

- Working voltage: 100V
- Current rating: 7.5A
- Contact resistance: max. 10mΩ - DIN41652
- Insulation resistance: >1GΩ
- Temperature range: -55° to +125°C

General tolerances (Delttron standard)			
size in mm	> 0.5	> 3	> 30
up to 3	up to 6	up to 30	up to 120
tolerances			
±0.1	±0.2	±0.2	±0.3

	All dimensions in mm	Rev.	Rev.	Rev.	DE002748		
		Rev.	Rev.	Rev.	part no.		
D15SZ/2FP102				1.5:1 scale	drawn	07.11.2007	mr
					checked		
					approved		
 CONNECT 2 CUSTOMIZE				Industrie Neuhof 8c CH-3422 Kirchberg <a href="http://www.d-sub.swiss">www.d-sub.swiss</a>		K052006 drawing no.	