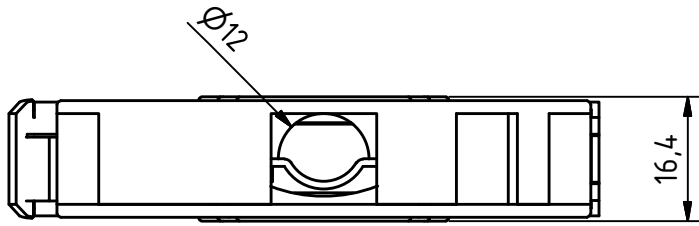
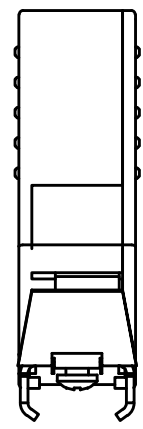
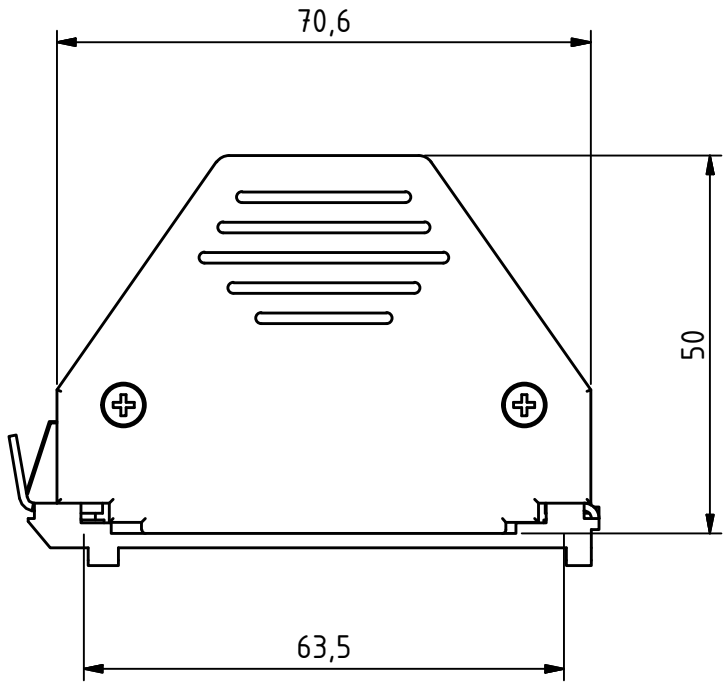


RoHS compliant



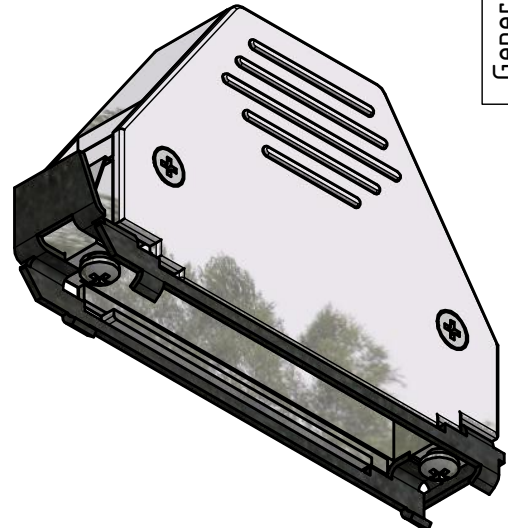
General tolerances (Deltron standard)			
size in mm			
> 0.5	> 3	> 6	> 30
up to 3	up to 6	up to 30	up to 120
tolerances			
±0.1	±0.2	±0.2	±0.3

**MATERIALS**

- Hood: thermoplastic - Metallized
- Slide-lock: steel nickel plated

**CHARACTERISTICS**

- Temperature range: -40°C to +85°C
- Housing screw: self cutting
- Straight and side cable outlet
- With metal strain relief
- With slide lock
- Attenuation: min. 40 db at 100Mhz
- Set packed in bag



	All dimensions in mm	Rev.	Rev.	Rev.	DE002468 part no.
		Rev.	Rev.	Rev.	
DCEM37				1:1 scale	drawn 07.04.2015 mr
					checked
			Industrie Neuhof 8c CH-3422 Kirchberg <a href="http://www.d-sub.swiss">www.d-sub.swiss</a>	K051659 drawing no.	