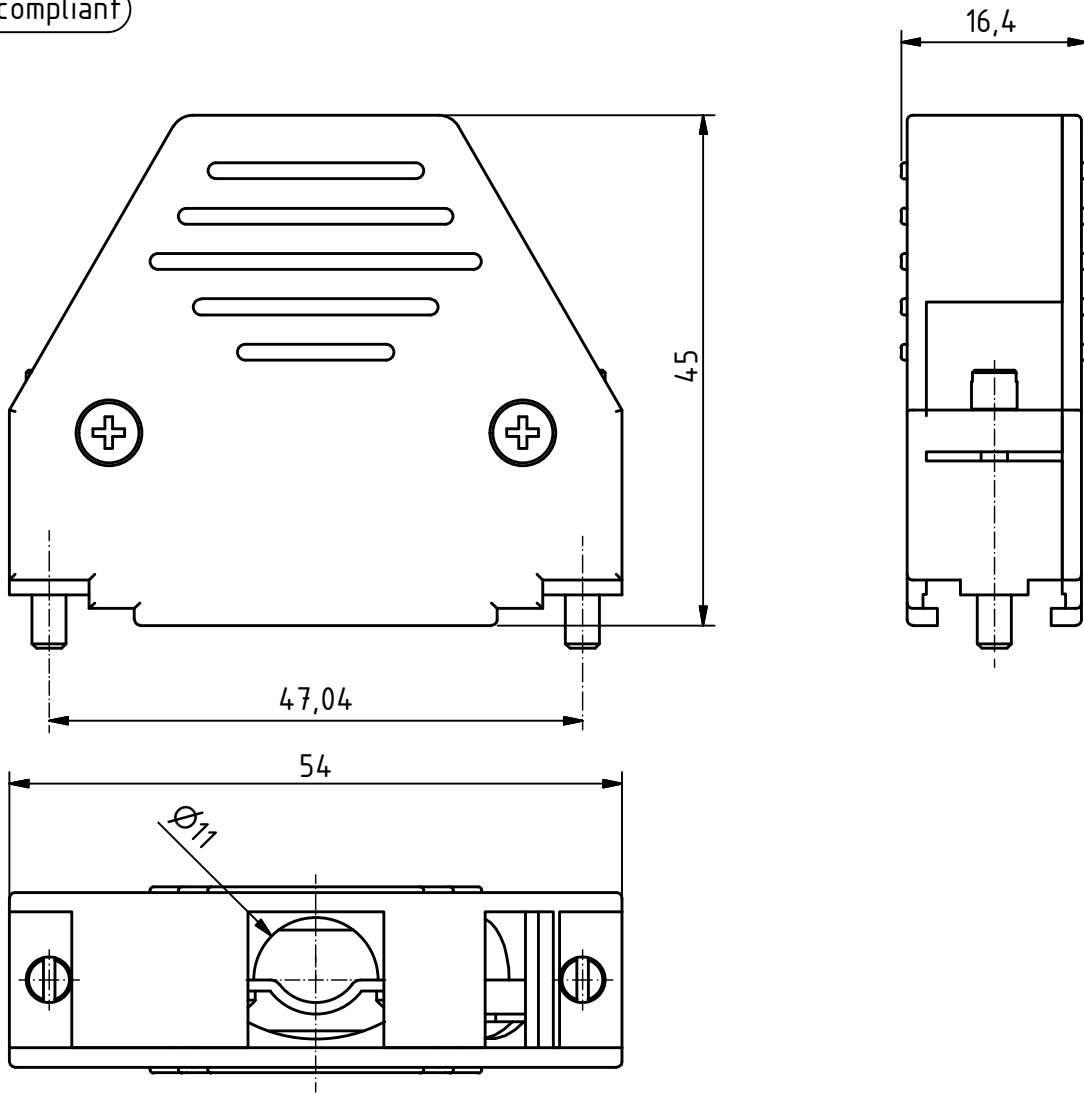


RoHS compliant



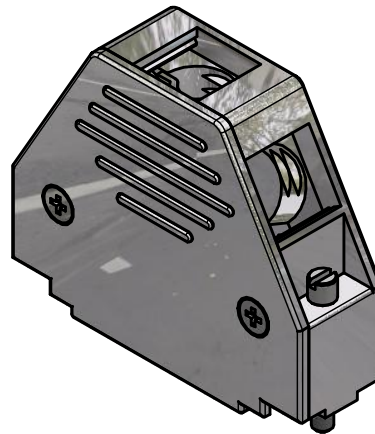
MATERIALS

- Hood: thermoplastic metallized

CHARACTERISTICS

- Temperature range: -40°C to +85°C
- Housing screw: self cutting
- Straight and side cable outlet
- With metal strain relief
- Two mobile assembled screws
- Attenuation: min. 40 db at 100Mhz

-Set packed in bag



General tolerances (Deltron standard)			
size in mm			
> 0.5	> 3	> 6	> 30
up to 3	up to 6	up to 30	up to 120
tolerances			
±0.1	±0.2	±0.2	±0.3

	All dimensions in mm	Rev.	Rev.	Rev.	DE002463 part no.		
		Rev.	Rev.	Rev.			
DCM25UN4				1.5:1 scale	drawn	28.02.2011	nf
					checked		
				Industrie Neuhof 8c CH-3422 Kirchberg www.d-sub.swiss	K051650 drawing no.		