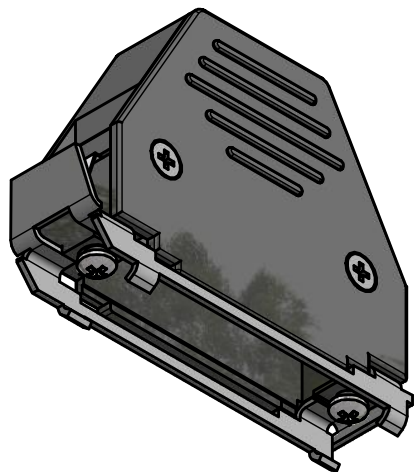
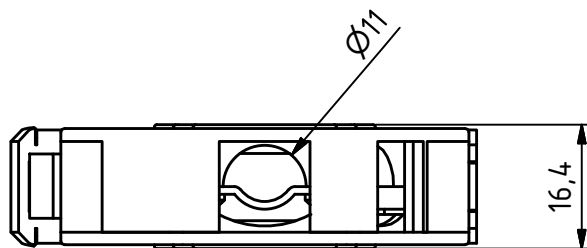
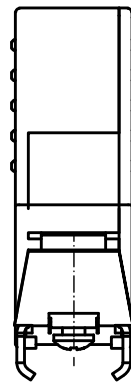
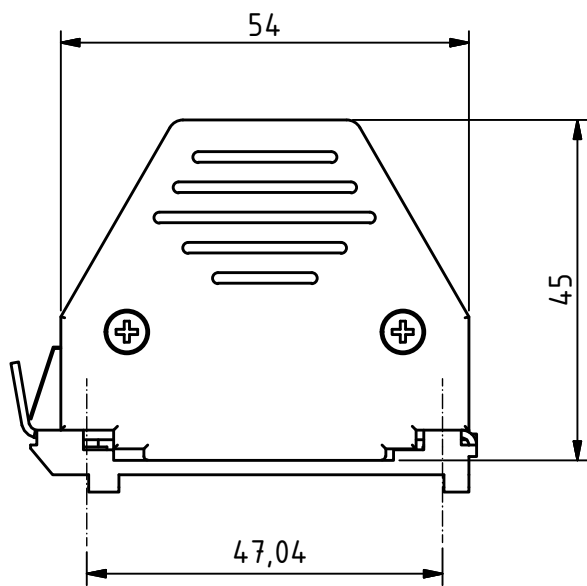


RoHS compliant



MATERIALS

- Hood: thermoplastic black
- Slide-lock: steel nickel plated

CHARACTERISTICS

- Temperature range: -40°C to +85°C
- Housing screw: self cutting
- Straight and side cable outlet
- With metal strain relief
- With slide-lock

-Set packed in bag

General tolerances (Deltron standard)			
size in mm		tolerances	
> 0.5	> 3	> 6	> 30
up to 3	up to 6	up to 30	up to 120
±0.1	±0.2	±0.2	±0.3

	All dimensions in mm	Rev. a) ?? nf	Rev.	Rev.	DE002091 part no.
		Rev.	Rev.	Rev.	
DCE25				1:1 scale	drawn 11.07.2011 nf
					checked
Industrie Neuhof 8c CH-3422 Kirchberg www.d-sub.swiss				K051648 a drawing no.	approved
CONNECT 2 CUSTOMIZE					approved