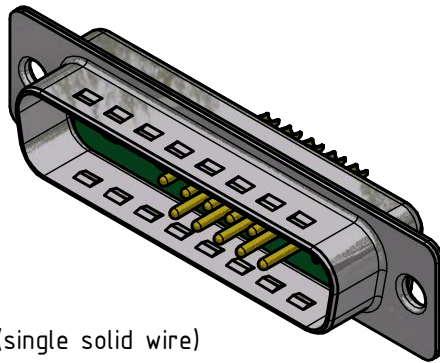
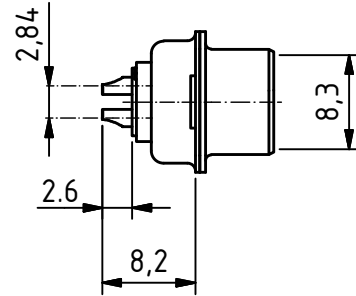
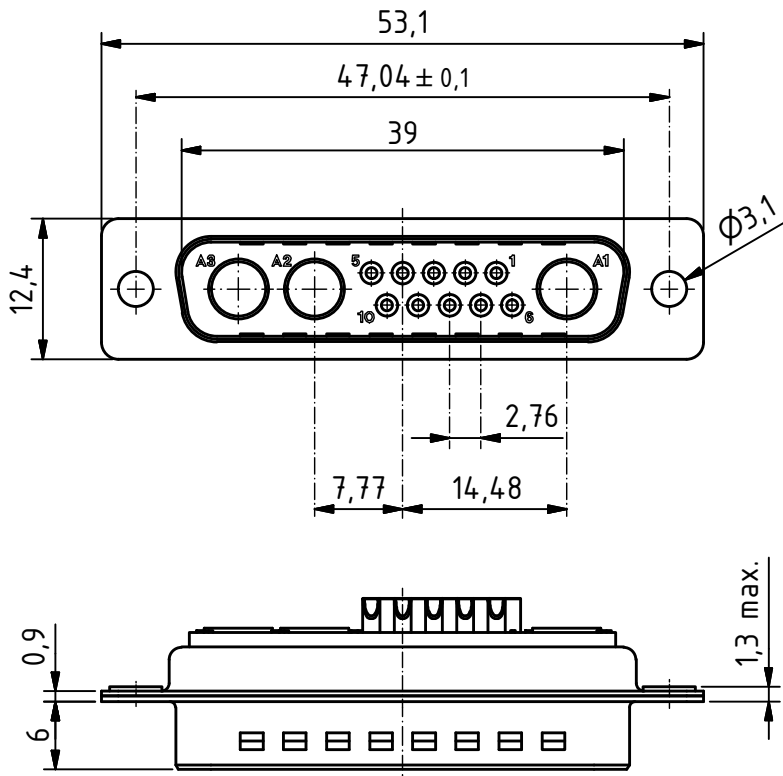


RoHS compliant



suitable for cable AWG 18 (single solid wire)

MATERIALS

- Insulator: Thermoplastic UL 94-V-0 green
- Contact: Machined / Copper alloy
- Contact finish: Quality class 2
- Shell: steel tin plated

CHARAKTERISTICS

- Working voltage: 125V
- Current rating: 7.5A/xxA
- Contact resistance: max. 10mΩ - DIN41652
- Insulation resistance: >5GΩ
- Temperature range: -55° to +125°C

| General tolerances (Deltron standard) | | | |
|---------------------------------------|---------|----------|-----------|
| size in mm | > 0.5 | > 3 | > 6 |
| up to 3 | up to 6 | up to 30 | up to 120 |
| tolerances | | | |
| ±0.1 | ±0.2 | ±0.2 | ±0.3 |

| | | | | | | | |
|-------------|----------------------|------|------|---|----------|-------------|----|
| | All dimensions in mm | Rev. | Rev. | Rev. | DE001947 | | |
| | | Rev. | Rev. | Rev. | part no. | | |
| DTS13W3PZ/2 | | | | 1.5:1 scale | drawn | 31.03.2008 | mr |
| | | | | | checked | | |
| | | | | approved | | | |
| | | | | Industrie Neuhof 8c CH-3422 Kirchberg www.d-sub.swiss | | K051092 | |
| | | | | | | drawing no. | |