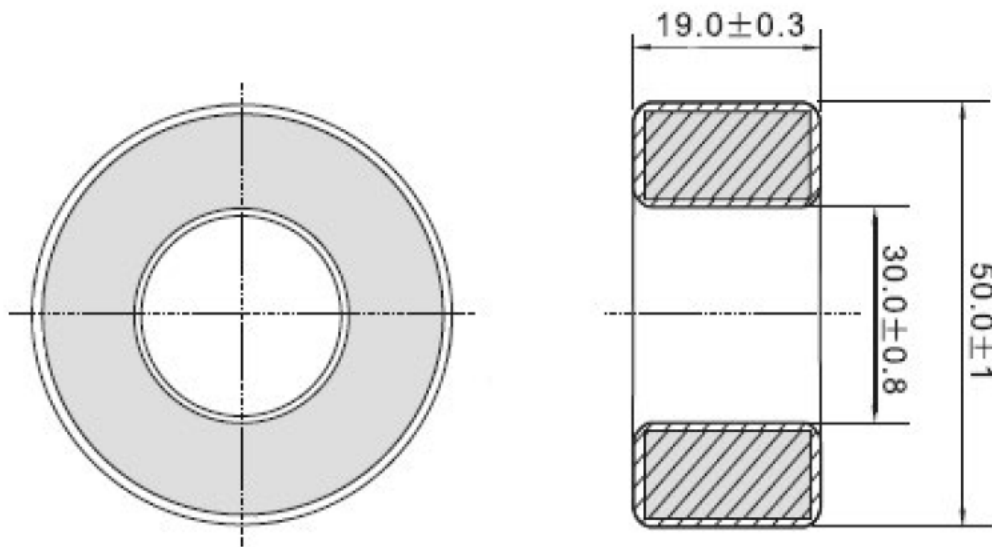


SPECIFICATION FOR APPROVAL



CUSTOMER		PART NO:	H5K T50X30X19C
DATE	2012/11/22	TEMPERATURE	25°C
HUMIDITY	60%		

1. DIMENSIONS: (mm)



2. ELECTRICAL CHARACTERISTICS

AL uH/N ²	C/A mm ⁻¹	le mm	Ae mm ²	Ve mm ³	
9000±25%	0.65	120	186	22400	
TEST CONDITIONS	AL: F=1.0KHz U=0.3V T=23°C±3°C N=100Ts Pg: F=100KHz B=200mT T=100°C				
TESTING EQUIPMENT	HP4284A	CH-258			

Initial permeability: 5000±25%