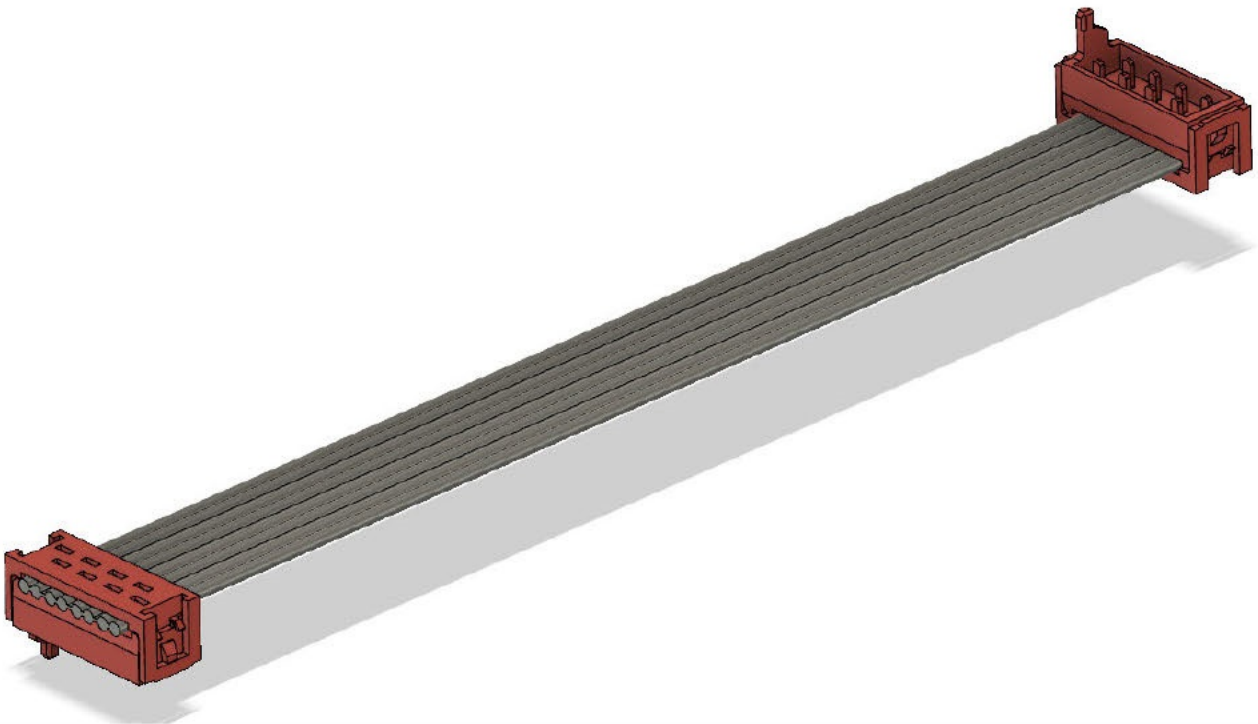
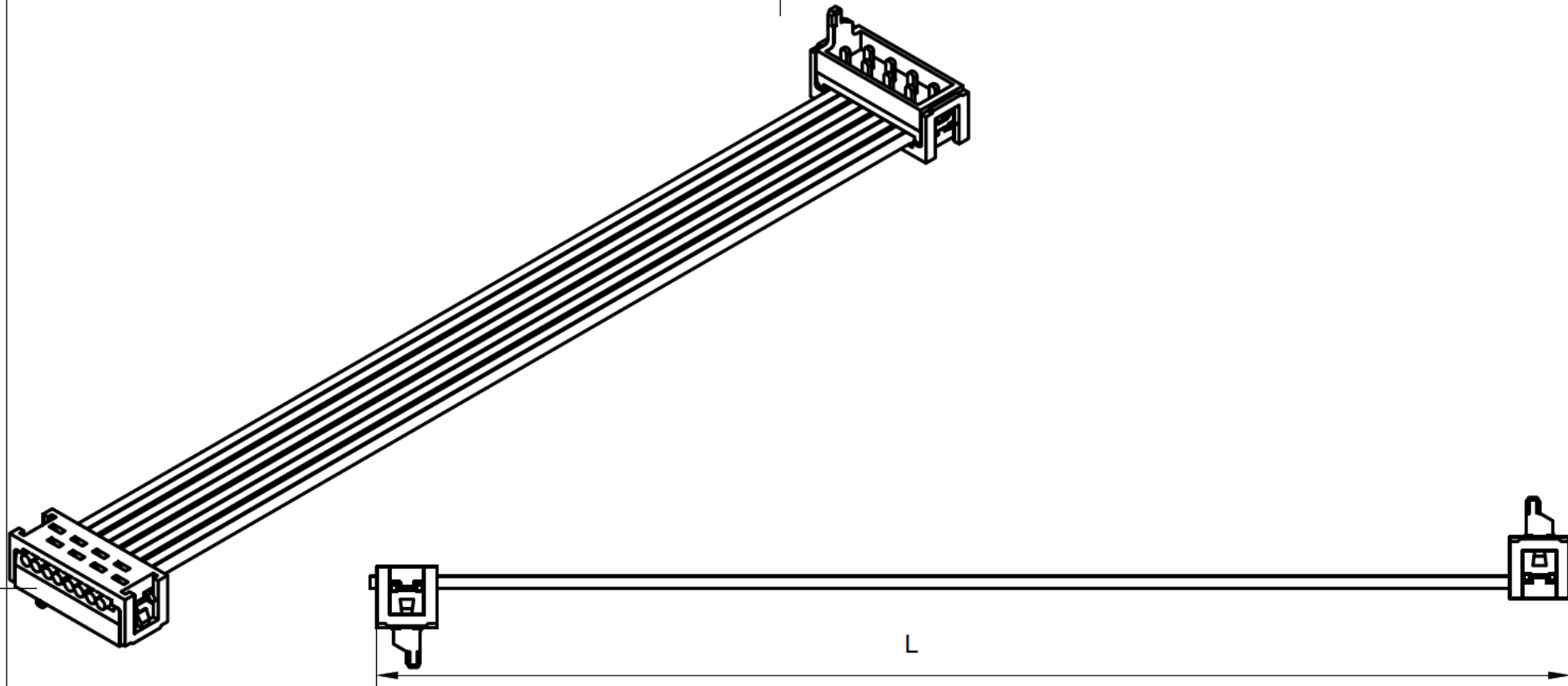

Cable Assembly LITE

Characteristics

Marking	Lenght L [mm]	Remark
DZD_LITE-003_Cable	L = 200 mm	
DZD_LITE-004_Cable	L = 500 mm	
DZD_LITE-005_Cable	L = 1000 mm	
Marking	Name	Remark
Connector	215083-8	pls, select from your range

Picture of the cable assembly :





Dept.	Technical reference	Created by 21.03.2019	Approved by	
		Document type	Document status	
		Title DZD_LITE-00x_Cable	DWG No.	
		Rev.	Date of issue	Sheet 1/1