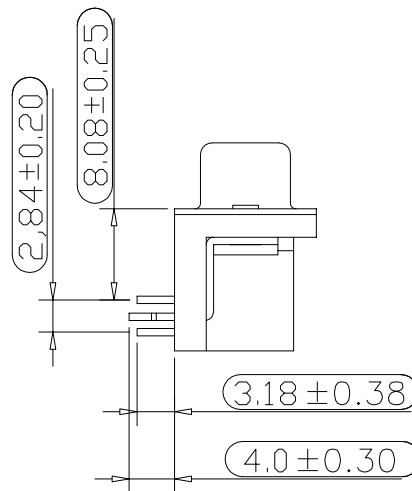


EDGE OF P. C. BOARD
RECOMMENDED P. C. B LAYOUT (TOP VIEW)
TOLERANCES: ±0.05mm

POSITION	A	B	C	d	D	e	E
09	16.33	25.00	30.8	03	08.31	04	11.08
15	24.80	33.30	39.2	06	16.62	07	19.39
25	38.33	47.10	53.2	11	30.47	12	33.24
37	54.89	63.50	69.4	17	47.09	18	49.86



MATERIAL:
INSULATOR:Thermal PlasticUL94V-0
CONTACT:Copper Alloy
CONTACTPLATED:GOLD OVER NICKEL OR TIN
SHELL:STEEL,NICKEL OR TIN
SPESIFICATION:
CURRENT RATE:5 AMPS
INSULATOR RESISTANCE:1000M MIN.AT 500V DC
DIELECTRIC STRENGTH:1000V PER
OPERITION TEMPERATURE:-55C TO+105C
IMPEDANCE:16M FOR 25MHz

DTSLxxSYCM841ZUN

UNLESS OTHERWISE SPECIFIED TOLERANCE	
ANG.	±5°
0.	±0.5
.0	±0.3
.00	±0.25
SCALE: AS SHOWN	UNIT: mm

DELTRON SWISS
CONNECTORS | CUSTOMIZED

C	ECN-1509032(Jerry_lin) (9,D)	09/21/2015	DRAWN RITA	09/21/2015	DRAWN NAME: D-SUB PCB RIGHT ANGLE
B	ECN-1408066(Pearl) (7,D)	08/21/14	CHECKED	/ /	PRODUCT NO.
A	ECN-1406038(Jocy)	06/25/14	APPROVED	/ /	FILE NAME:
REV.	DESCRIPTION	DATE	SIZE A4	REV. C	