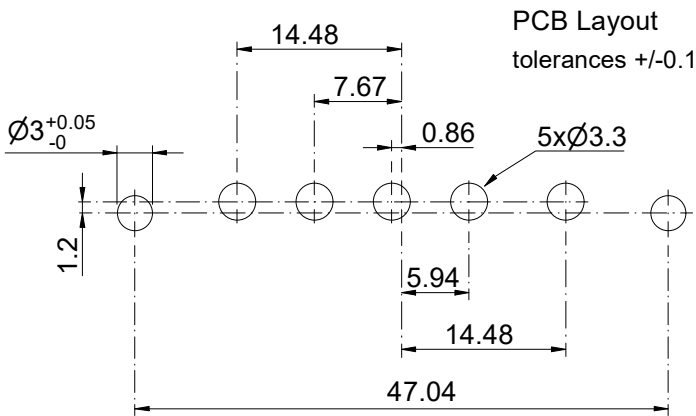
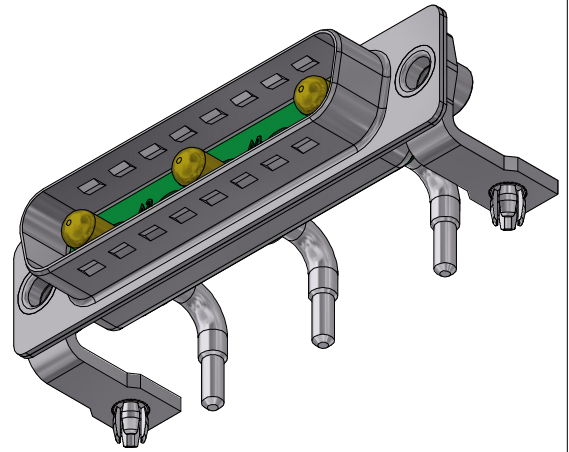
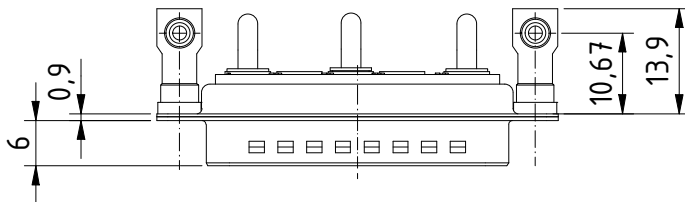
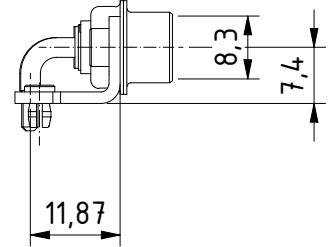
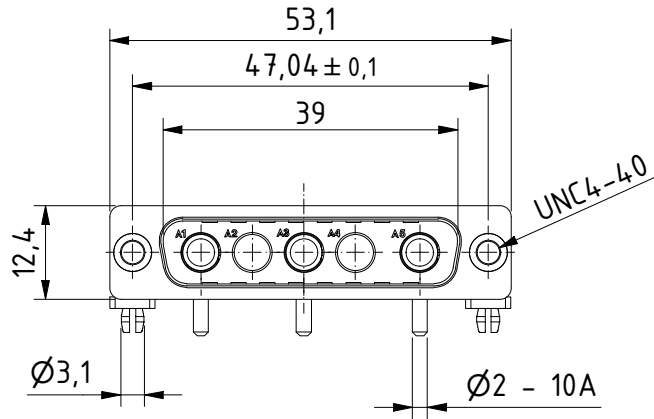


RoHS compliant



PCB Layout tolerances +/-0.1

4K= A2 / A4 empty

**MATERIALS**

- Insulator: Thermoplastic UL 94-V-0 green
- Contact: Machined / Copper alloy
- Contact finish: Quality class 1
- Shell: steel tin plated

**CHARACTERISTICS**

- Working voltage: 125V
- Current rating: 20A
- Contact resistance: max. 10mΩ - DIN41652
- Insulation resistance: >5GΩ
- Temperature range: -55°C to +125°C

Product is suitable for Wave Solder Process

General tolerances (Deltron standard)	
size in mm	
> 0.5 up to 3	±0.1
> 3 up to 6	±0.2
> 6 up to 30	±0.2
> 30 up to 120	±0.3
tolerances	
	±0.1
	±0.2
	±0.2
	±0.3

	All dimensions in mm	Rev.	Rev.	Rev.	DE019737		
		Rev.	Rev.	Rev.	part no.		
DTS5W5PYC1/1M47UN-4K				1:1 scale	drawn	23.06.2022	mz
					checked		
					approved		
				Industrie Neuhof 8c CH-3422 Kirchberg www.d-sub.swiss		K065180 drawing no.	