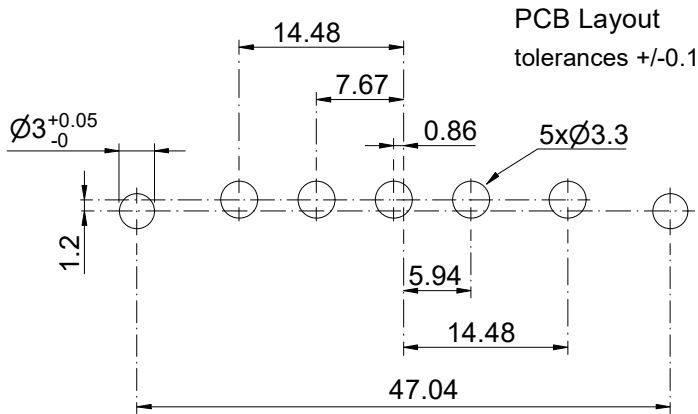
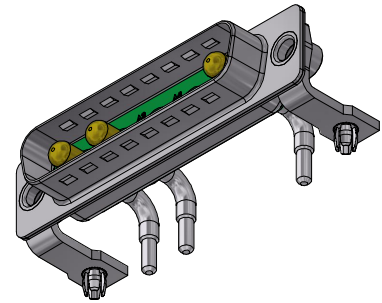
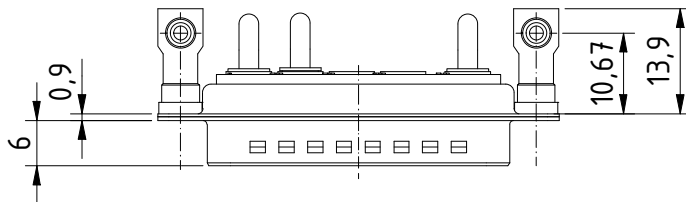
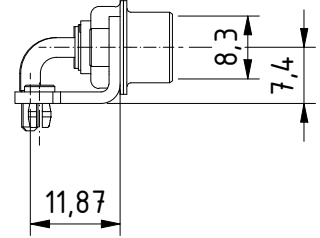
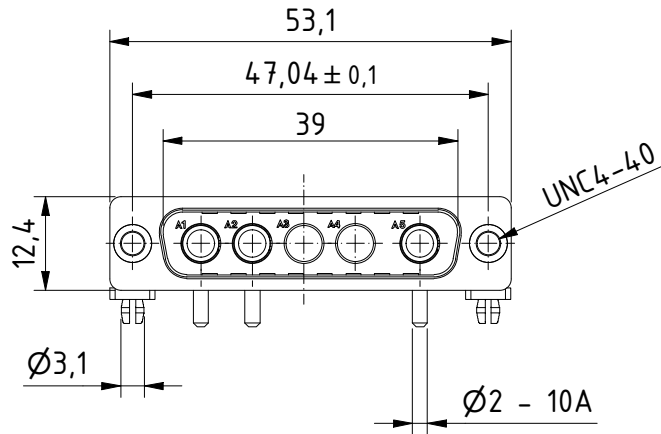


RoHS compliant



3K= A3 / A4 empty

MATERIALS

- Insulator: Thermoplastic UL 94-V-0 green
- Contact: Machined / Copper alloy
- Contact finish: Quality class 1
- Shell: steel tin plated

CHARACTERISTICS

- Working voltage: 125V
- Current rating: 20A
- Contact resistance: max. 10mΩ - DIN41652
- Insulation resistance: >5GΩ
- Temperature range: -55°C to +125°C

Product is suitable for Wave Solder Process

General tolerances (Deltron standard)		tolerances	
size in mm			
> 0.5	> 3	> 6	> 30
up to 3	up to 6	up to 30	up to 120
±0.1	±0.2	±0.2	±0.3

	All dimensions in mm	Rev.	Rev.	Rev.	DE019736		
		Rev.	Rev.	Rev.	part no.		
DTS5W5PYC1/1M47UN-3K				1:1 scale	drawn	23.06.2022	mz
					checked		
					approved		
				Industrie Neuhof 8c CH-3422 Kirchberg www.d-sub.swiss		K065179	
						drawing no.	