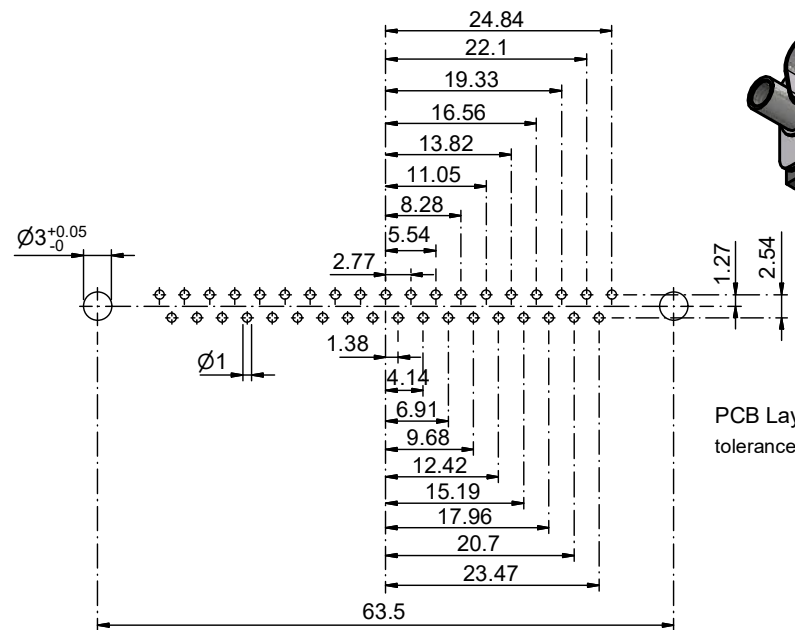
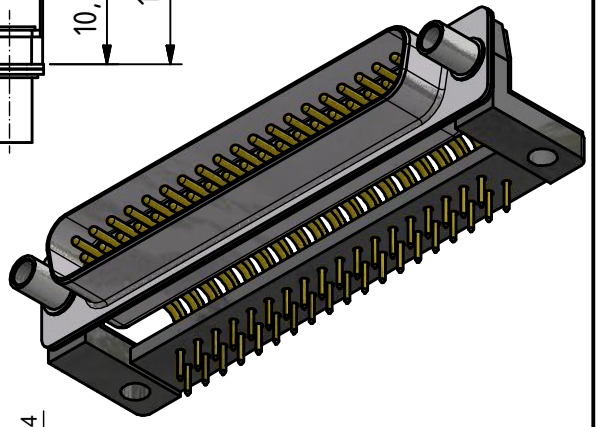
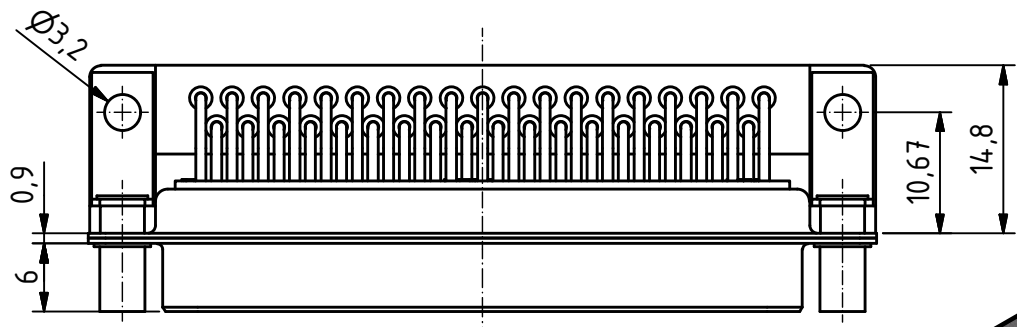
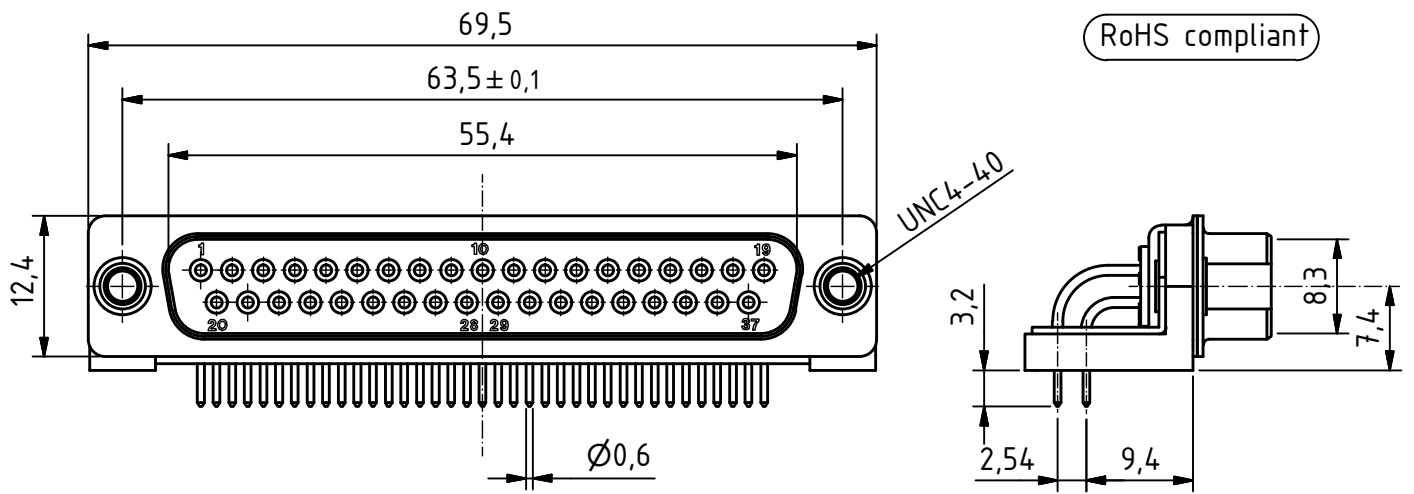


RoHS compliant



PCB Layout tolerances +/-0.1

-K= Frontshell without ground dimple

MATERIALS

- Insulator: Thermoplastic UL 94-V-0 white
- Contact: Machined / Copper alloy
- Contact finish: Quality class 2
- Shell: steel tin plated

CHARAKTERISTICS

- Working voltage: 125V
- Current rating: 7.5A
- Contact resistance: max. 10mΩ - DIN41652
- Insulation resistance: >5GΩ
- Temperature range: -55° to +125°C

General tolerances (Deltron standard)			
size in mm			
> 0.5	> 3	> 6	> 30
up to 3	up to 6	up to 30	up to 120
tolerances			
±0.1	±0.2	±0.2	±0.3

	All dimensions in mm	Rev.	Rev.	Rev.	DE002558			
		Rev.	Rev.	Rev.	part no.			
DTS37PYC/2M66UN-K				1.5:1	scale	drawn	09.01.2019	mw
						checked		
						approved		
				Industrie Neuhof 8c CH-3422 Kirchberg www.d-sub.swiss		K063327 drawing no.		