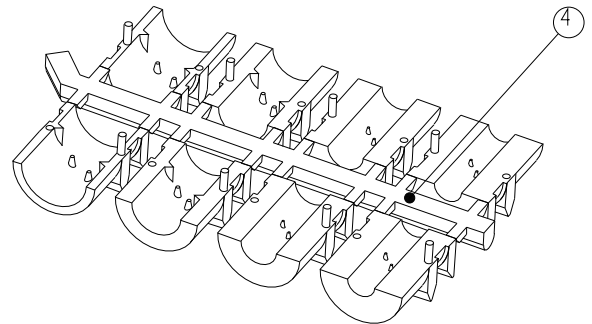
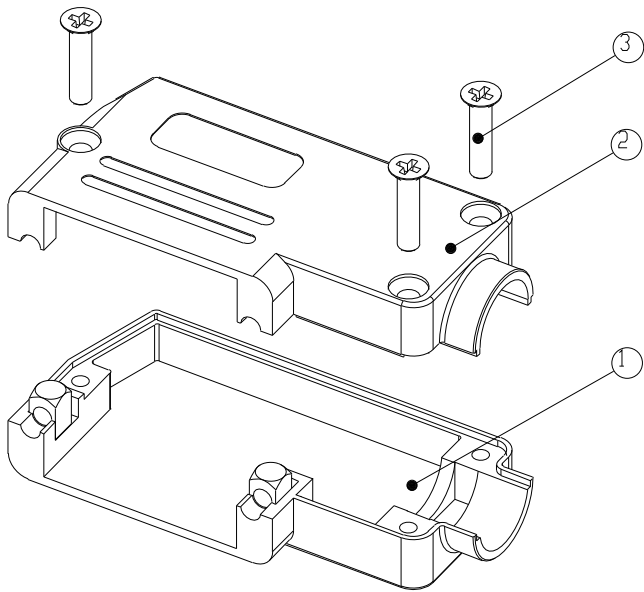
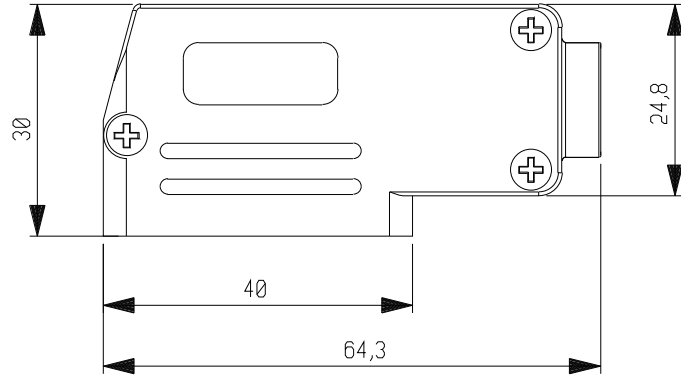
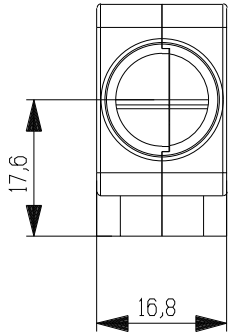
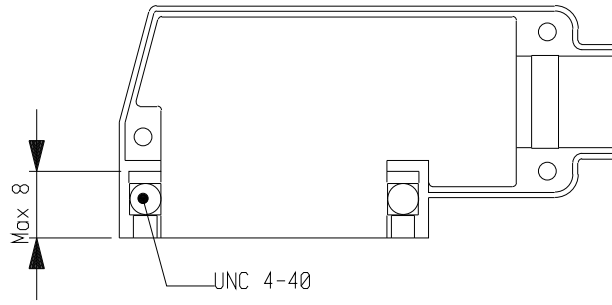


ITEM NO.	QTY.	PART NO.	DESCRIPTION
1	1	DSPK9-SL-D1	Cover bottom
2	1	DSPK9-SL-D2	Cover top
3	3	FXK-2,9x13	Screw
4	1	DVZK-D1	Strain relief



DSPK9-SL-K
Assembly

Tegn.nr: 41132-1
Date: 20.03.98
Rev.: B
Sign.: PH



ITEM NO.	QTY.	PART NO.	DESCRIPTION
1	1	DSPK15-SL-D1-MK2	Cover bottom
2	1	DSPK15-SL-D2-MK2	Cover top
3	3	FXK-2,9x13	Screw
4	1	DVZK-D1	Strain relief

OSSI
CONNECTORS

Postbox 125
DK-4930 Vording
Denmark
Tlf: 53882888 / Fax: 53883348

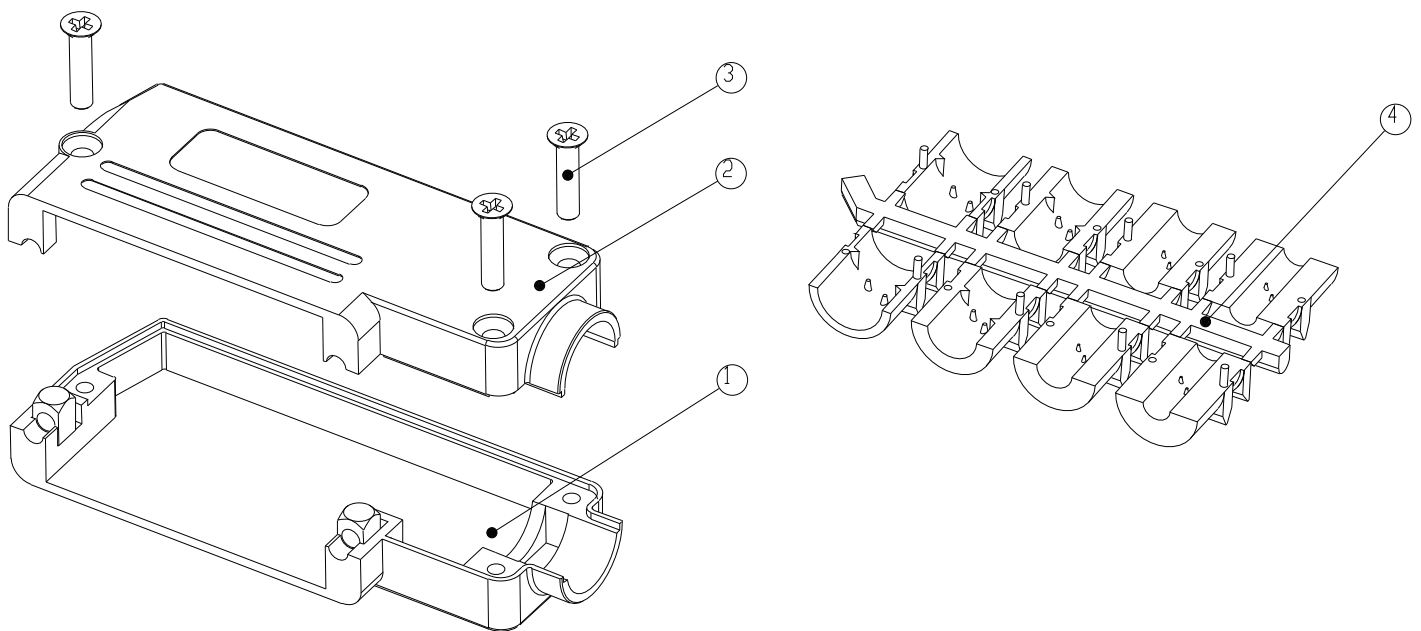
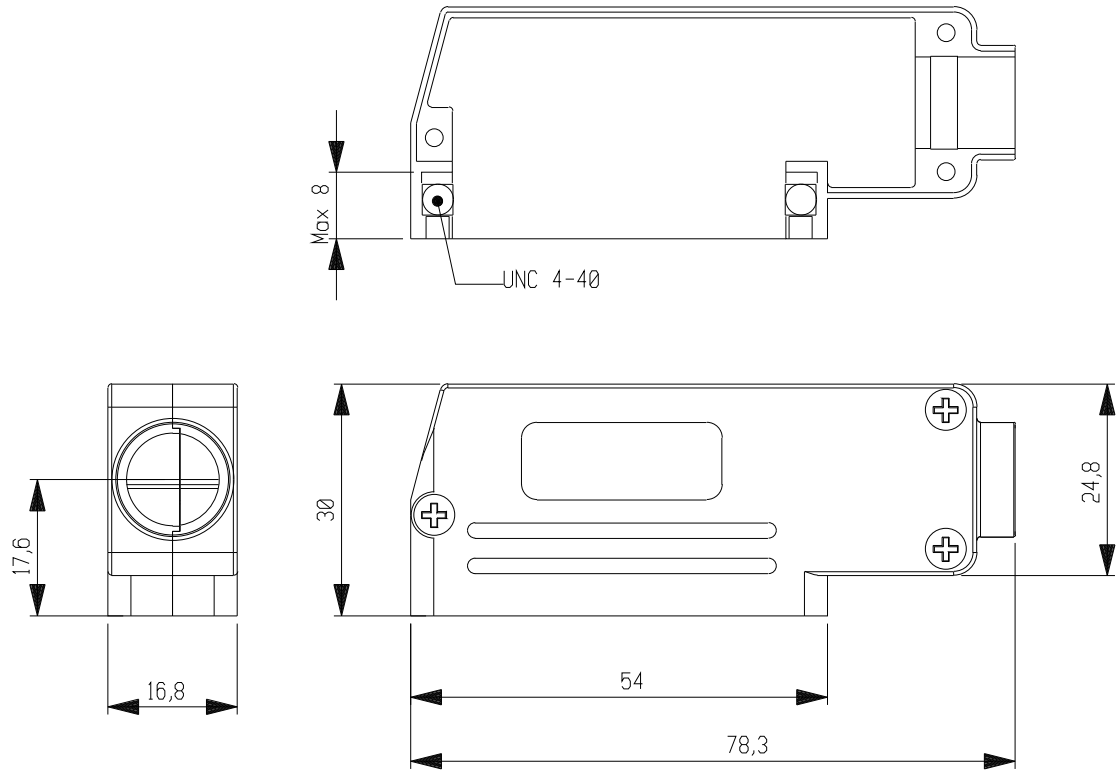
DSPK15-SL-MK2-K
Assembly

Tegn.nr.: 41132-2

Date: 20.03.98

Rev.: B

Sign: PH



ITEM NO.	QTY.	PART NO.	DESCRIPTION
1	1	DSPK25-SL-D1	Cover bottom
2	1	DSPK25-SL-D2	Cover Top
3	3	FXK-2,9x13	Screw
4	1	DVZK-D1	Strain relief

OSSI
CONNECTORS

Postbox 125
DK-4230 Nørbo
Denmark
Tlf: 53882888 / Fax: 53883348

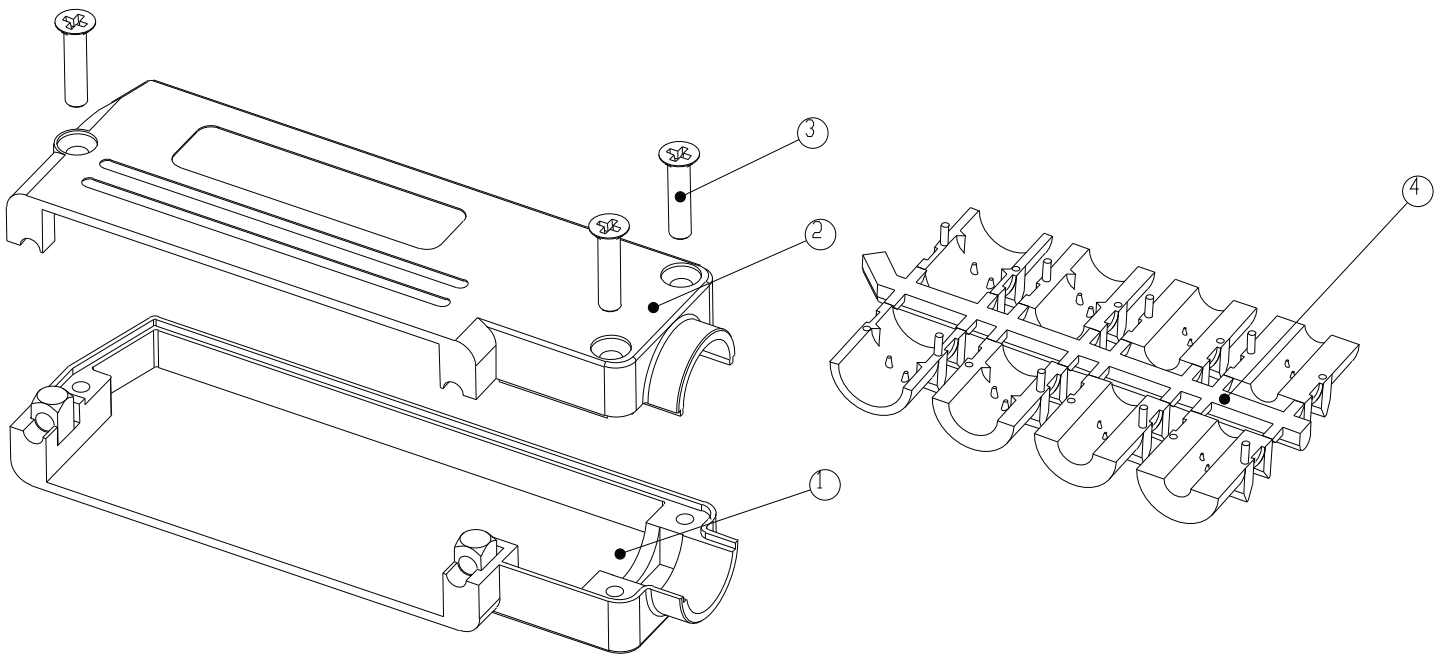
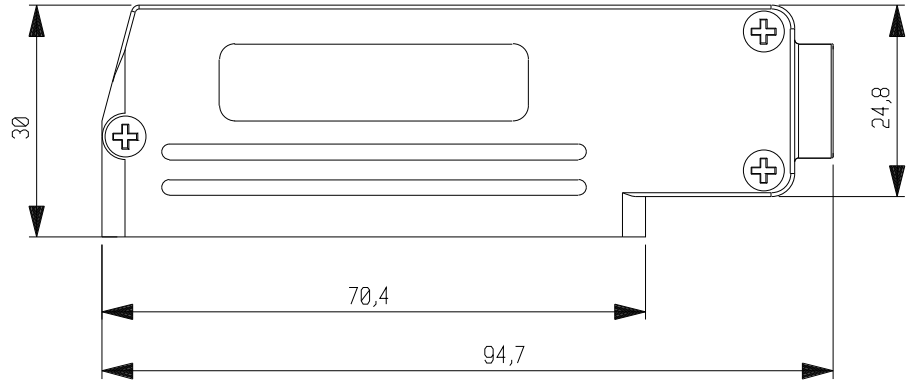
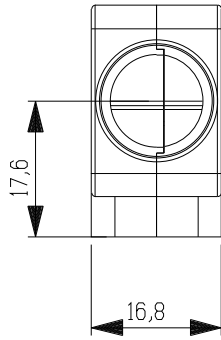
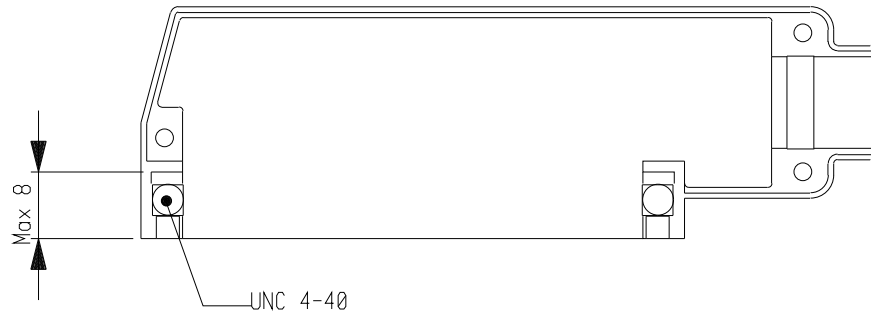
DSPK25-SL-K
Assembly

Tegn.nr: 41132-3

Date: 20.03.98

Rev.: B

Sign: PH



ITEM NO.	QTY.	PART NO.	DESCRIPTION
1	1	DSPK37-SL-D1	Cover bottom
2	1	DSPK37-SL-D2	Cover top
3	3	KXF-2,9x13	Screw
4	1	DVZK-D1	Strain relief