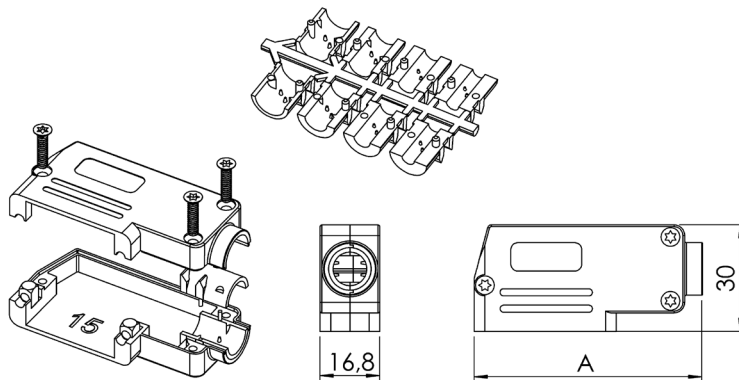


D-Sub Backshells DSPK-SL-Series

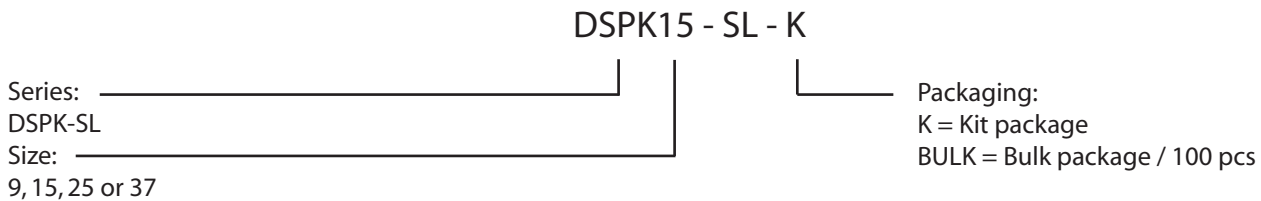
TECHNICAL SPECIFICATIONS

Material:	Polycarbonate, PC UL94 V0
Temp. range:	-55°C - 105°C
Cable strain relief:	Polycarbonate, PC UL94 V0
Cable diameter:	3.0 - 13.0 mm
Locking screws:	Integrated UNC 4-40 threads for slidelock or panel assembly
Assembly screws:	Thread forming
Cable outlet:	Side



TYPE	A
DSPK9-SL	56,3
DSPK15-SL	64,3
DSPK25-SL	78,3
DSPK37-SL	94,7

PART NUMBERING SYSTEM



FEATURES

- Available in sizes 9, 15, 25 and 37
- Light weight and cost effective
- Measures 30 mm high for tight spaces
- Suitable for high-integrity data links
- No special assembly tools required
- Moulded logotype available upon request
- Integrated UNC 4-40 threads for slidelock or panel assembly
- For custom designed solutions, please consult factory