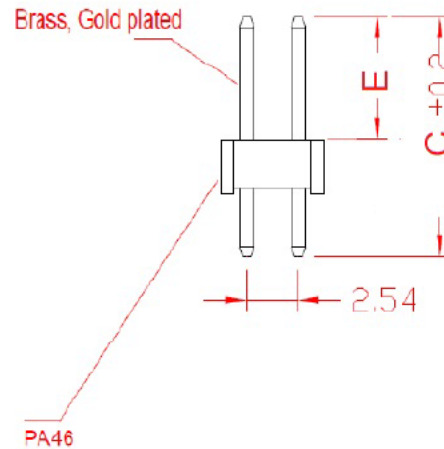
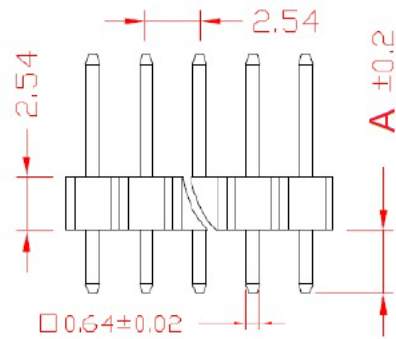
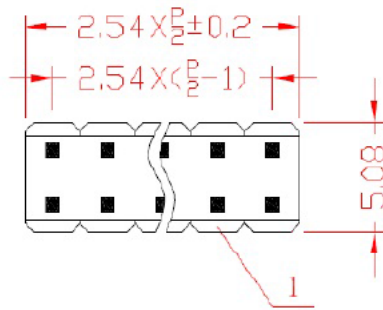


Specifications:

Contact Resistance: 30mΩ max.at DC 100 mA
 Insulator Resistance: 1000MΩ min.at DC 500V
 Current Rating: 1AMP

Dielectric Withstanding

Voltage: AC 500V For 1 minute
 Operating Temperature: -55°C--+105°C
 Contact: Brass
 Housing: PBT &30% Glass Fiber(UL 94V-0)

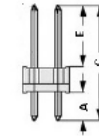


SM C02 2200 XX BS; (C= ;E= ;A=) - Y

XX - Contact No.: 2-80

Y- Packaging: unmarked - bag

- T - Tube
- R - Reel Packing
- P - Pad + Tube Packing
- Q - Pad + Reel Packing



Example: SM C02 2200 36 BS; C=11,54mm

= Header Pin Daul Rows; Single Insulator; RM: 2,54mm;
 THT; Straight; 36 Contacts;
 Dimension: C=11,54mm; E=6,0mm; A=3,0mm
 Packing: Bag

C= mm; A= mm; E= mm

TOLERANCE		SCHMID-M
SCALE	UNIT mm	
DRAW Johnson	DATE 22.11.2018	TITLE SM C02 2200 XX BS; C=
CHECK Konrad	REV	DESCRIPTION Header; RM 2,54mm; Double Rows; C= mm; A= mm; E= mm