

Compact Ferrous Metal Sensor - Non powered

Part Number : SRA-SP-001

Product Data Sheet

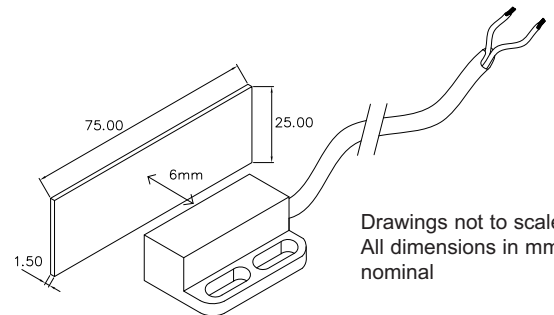
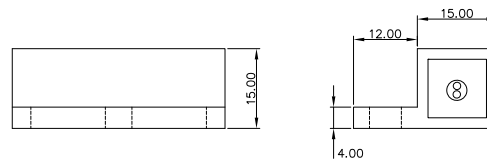
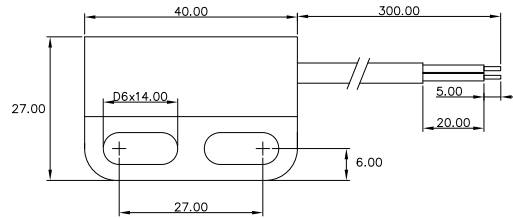
www.shop.com  
info@atd-elektronik.cz

## PICTURE

✓ RoHS Compliant

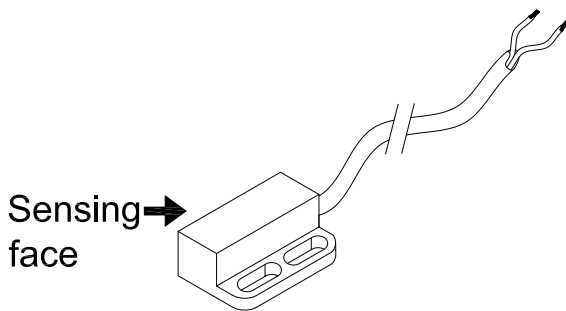


## DIMENSIONS



Drawings not to scale  
All dimensions in mm nominal

## SENSING FACE



## SPECIFICATION

Contact Form / Style	Normally Open, closes in presence of ferrous metal	
Activation distance	mm	6
Switching Voltage	Max Volts AC/DC	140 / 200
Switching Current	Max Amps	0.5
Switching Power	Max Watts	10
Carry Current	Max Amps	2.75
Breakdown Voltage	Min Volts DC	225
Contact Resistance	Max mOhms	100
Operating Frequency	Max Hz	100
Operating Temperature	Celsius	- 40° to 85°
Case Material	ABS Plastic	
Cable	2 x 0.14mm <sup>2</sup> Grey PVC insulated, Brown/ White	

## Applications Include

- Gate closed detection.
- Robotics sensing.
- Automated production lines.
- Safety guards.

## Options

- Top, front or base sensing direction.
- 105° G/F Nylon version available.
- Custom cable types, cable lengths, connectors or crimp terminals available.
- If you do not see what you need, just ask, as there is a strong possibility we can do it !

## Did you know we also sell?



Rev. No.	Revision Note	Date	Signature
1	Datasheet	01-10-14	ML



ISO 9001:2008  
Certificate No. FM21080

As part of the company policy of continued product improvement, specifications may change without notice. Our sales office will be pleased to help you with the latest information on this product range and the details of our full design and manufacturing service. All products are supplied to our standard conditions of sale unless otherwise agreed in writing.